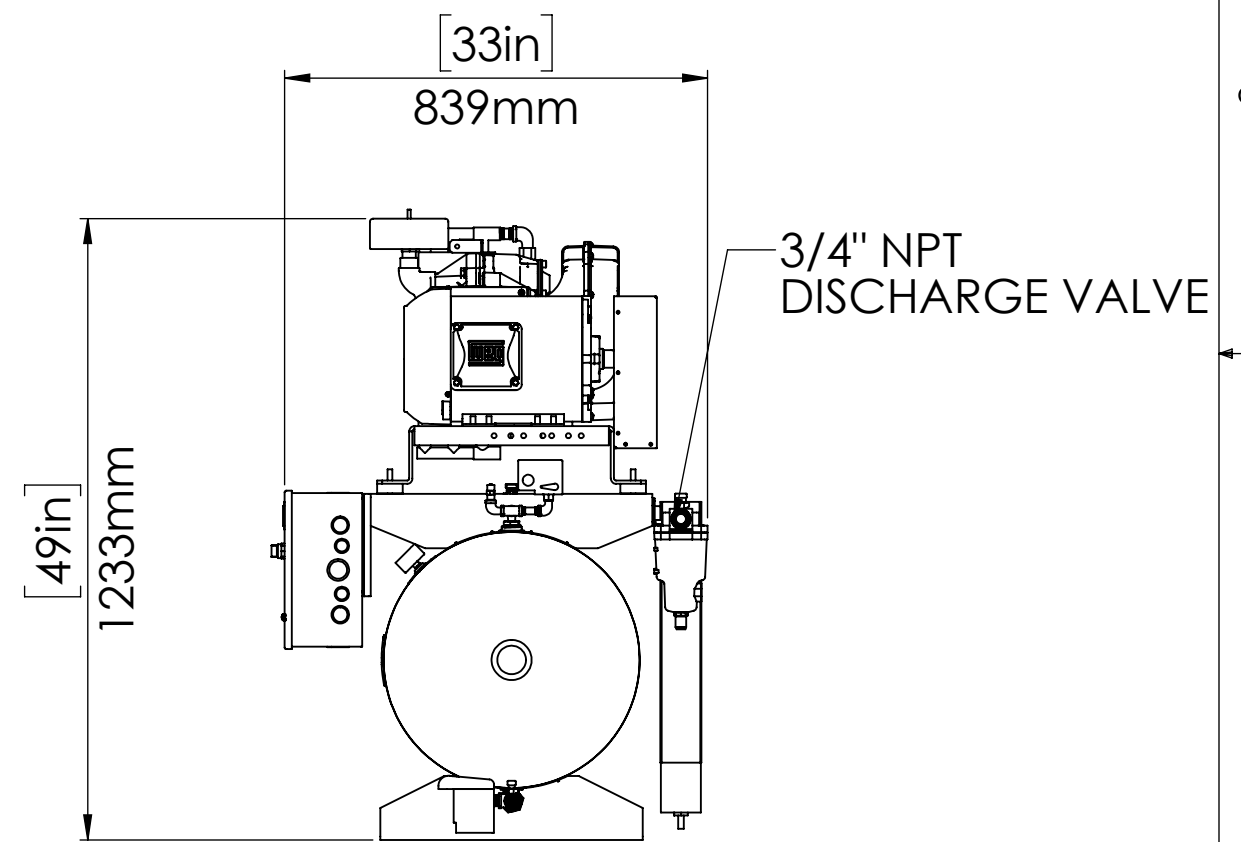
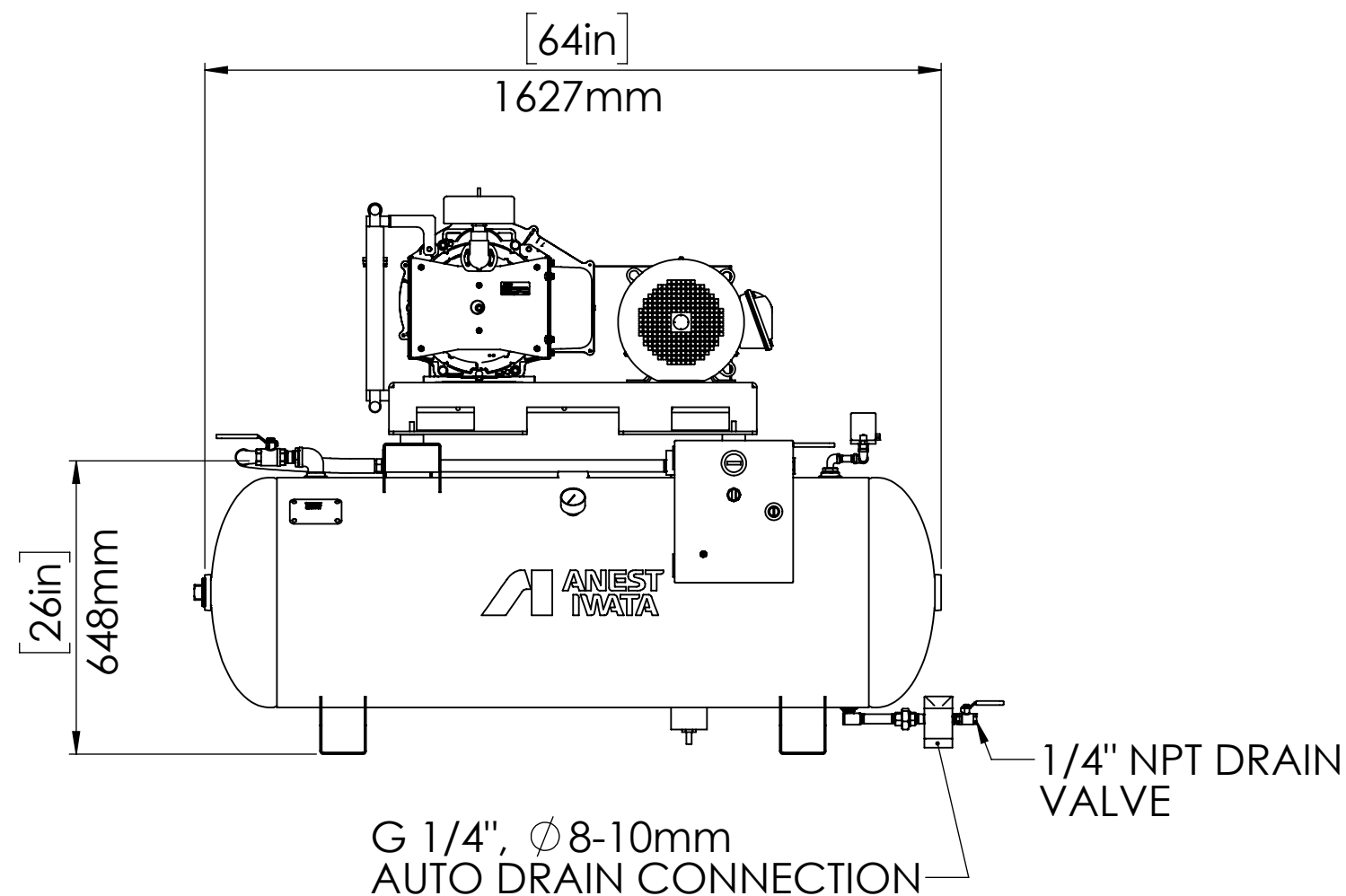



	SLT-7.5-FM-80
HORSEPOWER	7.5
OPERATING PRESSURE (PSI)	85-115
AIR DELIVERY (CFM)	19.8
CONTROL SYSTEM	MULTIPLE UNIT CONTROL - AUTO START/STOP
NOISE LEVEL (dB A)	74
AIR OUTLET (BALL VALVE)	3/4" NPT
OPERATING VOLTAGE	3 PHASE, 208-230V/460V, 60Hz
DIMENSIONS (LxWxH)	64" x 33" x 49"
APPROX. WT. (LBS.)	565



- NOTES:
- 1) COMPRESSOR UNIT MUST BE INSTALLED IN A ROOM ON A FLAT FLOOR
 - 2) COMPRESSOR IS AN AIR COOLED UNIT - ROOM TEMPERATURE MUST NOT EXCEED 104° F
EXHAUST DUCTS OR VENTILATING FAN MUST BE INSTALLED IF ROOM TEMPERATURE EXCEEDS 104° F
 - 3) PROVIDE ADEQUATE SPACE DURING INSTALLATION FOR NECESSARY MAINTENANCE AND REPAIRS
ALLOW A MINIMUM OF 20" ON EACH SIDE AND 24" FROM TOP OF UNIT FROM WALLS
 - 4) CARE MUST BE TAKEN TO INSURE COMPRESSOR UNIT DOES NOT INTAKE HOT AIR OR DUST
 - 5) REFER TO INSTRUCTION MANUAL FOR ELECTRIC WIRING DIAGRAM
 - 6) SPEC IS SUBJECT TO CHANGE WITHOUT NOTICE

PROPRIETARY AND CONFIDENTIAL
 THE INFORMATION CONTAINED IN THIS DRAWING IS THE SOLE PROPERTY OF ANEST IWATA. ANY REPRODUCTION IN PART OR AS A WHOLE WITHOUT THE WRITTEN PERMISSION OF ANEST IWATA IS PROHIBITED.

UNLESS OTHERWISE SPECIFIED:		NAME	DATE	ANEST IWATA Air Engineering Inc. 						
DIMENSIONS ARE IN INCHES AND MILLIMETERS	DRAWN	AMM	4/9/20							
	CHECKED	AGH	4/20/20							
	ENG APPR.									
	MFG APPR.			TITLE: SLT-7.5-FM-80 OIL-FREE SCROLL UNIT TANK MOUNT COMPRESSOR FILTER MEMBRANE DRYER						
	Q.A.									
INTERPRET GEOMETRIC TOLERANCING PER:	COMMENTS:			<table border="1"> <tr> <td>SIZE</td> <td>DWG. NO.</td> <td>REV</td> </tr> <tr> <td>B</td> <td>SLT-7.5-FM-80-R2</td> <td>2</td> </tr> </table>	SIZE	DWG. NO.	REV	B	SLT-7.5-FM-80-R2	2
SIZE	DWG. NO.	REV								
B	SLT-7.5-FM-80-R2	2								
MATERIAL	ASS'Y									
PART NO.										
DO NOT SCALE DRAWING		SCALE: 1:15	WEIGHT:	SHEET 1 OF 1						