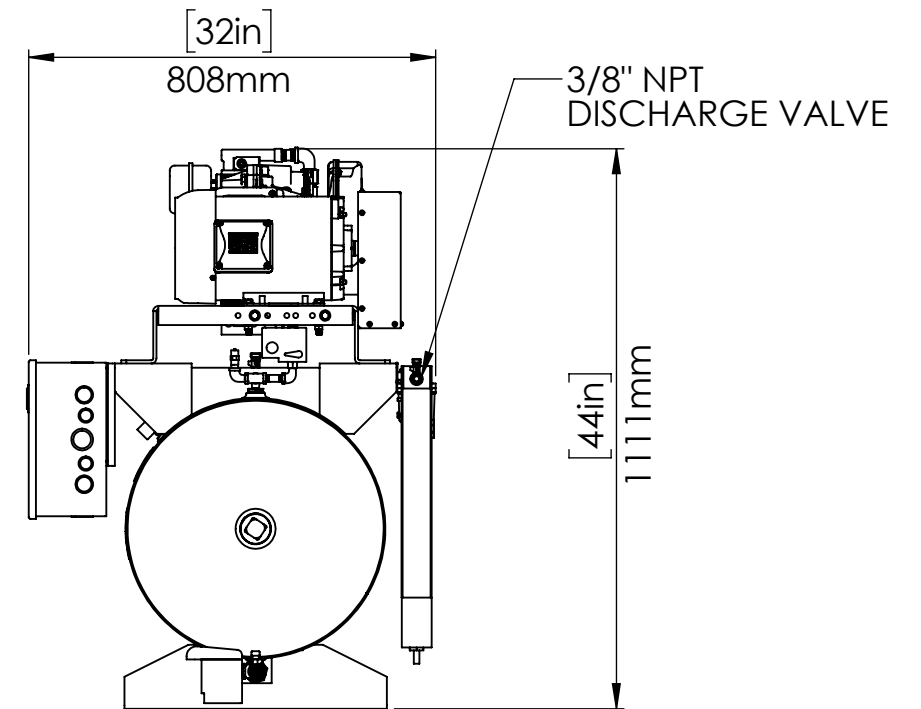
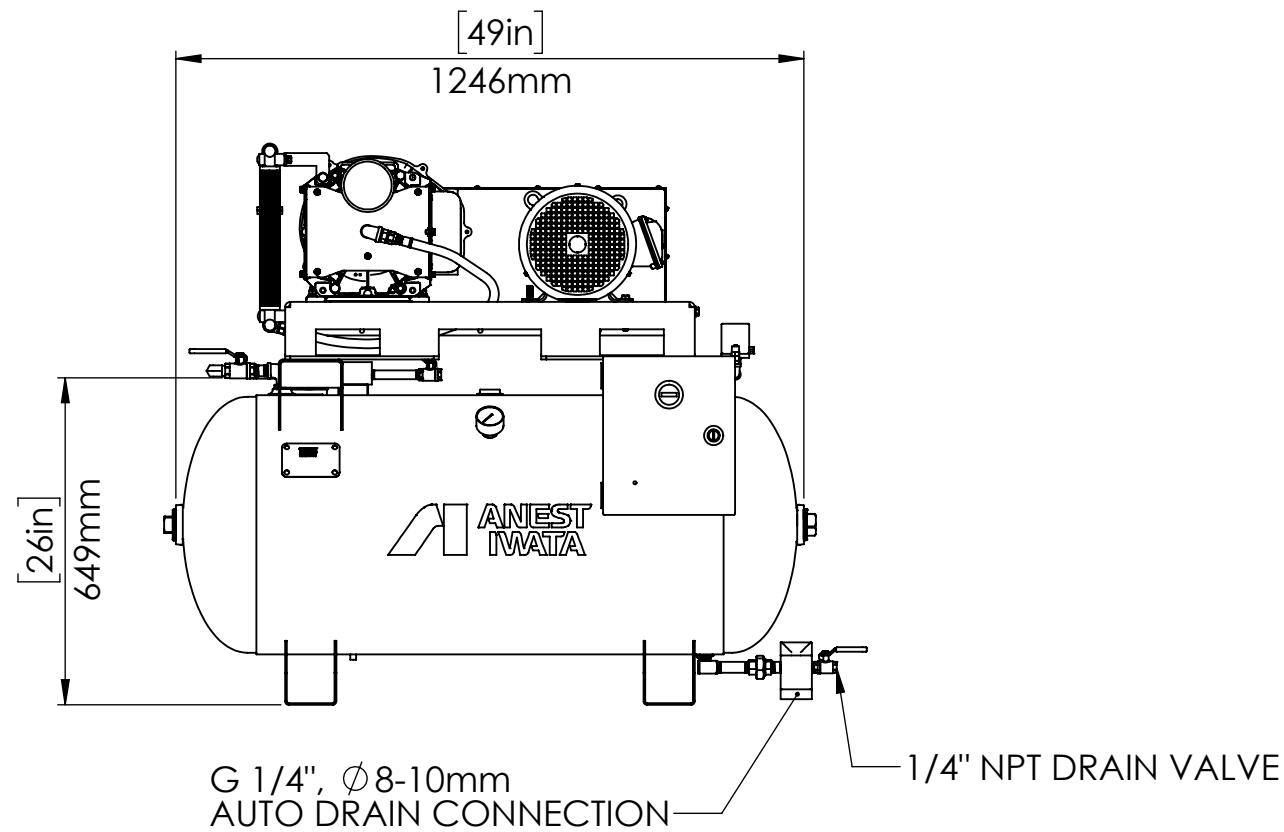



	SLT-5-FM-60	SLT-5H-FM-60
HORSEPOWER	5	5
OPERATING PRESSURE (PSI)	85-115	115-145
AIR DELIVERY (CFM)	13.4	10.9
CONTROL SYSTEM	MULTIPLE UNIT CONTROL - AUTO/START STOP	
NOISE LEVEL (dB A)	68	
AIR OUTLET (BALL VALVE)	3/8" NPT	
OPERATING VOLTAGE	3 PHASE, 208-230/460V, 60Hz	
DIMENSIONS (L x W x H)	49" x 32" x 44"	
APPROX. WT. (LBS.)	390	



NOTES:

- 1) COMPRESSOR UNIT MUST BE INSTALLED IN A ROOM ON A FLAT FLOOR
- 2) COMPRESSOR IS AN AIR COOLED UNIT - ROOM TEMPERATURE MUST NOT EXCEED 104° F
EXHAUST DUCTS OR VENTILATING FAN MUST BE INSTALLED IF ROOM TEMPERATURE EXCEEDS 104° F
- 3) PROVIDE ADEQUATE SPACE DURING INSTALLATION FOR NECESSARY MAINTENANCE AND REPAIRS
ALLOW A MINIMUM OF 20" ON EACH SIDE AND 24" FROM TOP OF UNIT FROM WALLS
- 4) CARE MUST BE TAKEN TO INSURE COMPRESSOR UNIT DOES NOT INTAKE HOT AIR OR DUST
- 5) REFER TO INSTRUCTION MANUAL FOR ELECTRIC WIRING DIAGRAM
- 6) SPEC IS SUBJECT TO CHANGE WITHOUT NOTICE

PROPRIETARY AND CONFIDENTIAL
THE INFORMATION CONTAINED IN THIS DRAWING IS THE SOLE PROPERTY OF ANEST IWATA. ANY REPRODUCTION IN PART OR AS A WHOLE WITHOUT THE WRITTEN PERMISSION OF ANEST IWATA IS PROHIBITED.

UNLESS OTHERWISE SPECIFIED:		NAME	DATE	ANEST IWATA Air Engineering Inc. 
DIMENSIONS ARE IN INCHES		DRAWN	AMM	
INTERPRET GEOMETRIC TOLERANCING PER: MATERIAL ASS'Y PART NO.		CHECKED	AGH	4/17/20
		ENG APPR.		
		MFG APPR.		
DO NOT SCALE DRAWING		Q.A.		
		COMMENTS:		TITLE: SLT-5(H)-FM-60 OIL-FREE SCROLL UNIT TANK MOUNT COMPRESSOR FILTER MEMBRANE DRYER
		SIZE B	DWG. NO. SLT-5(H)-FM-60-R2	
		SCALE: 1:15 WEIGHT:		SHEET 1 OF 1