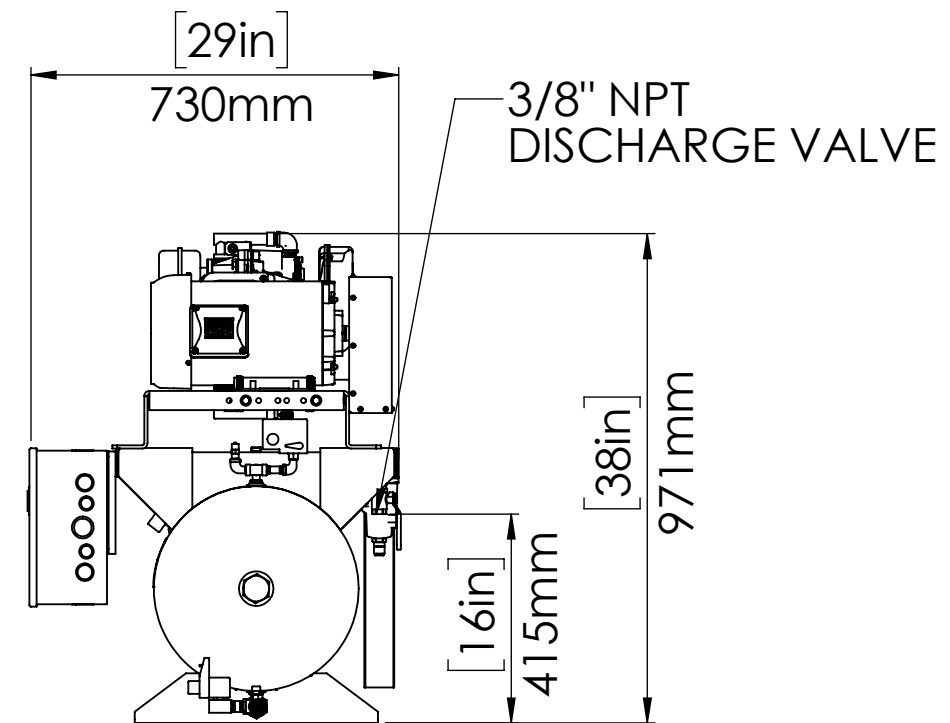
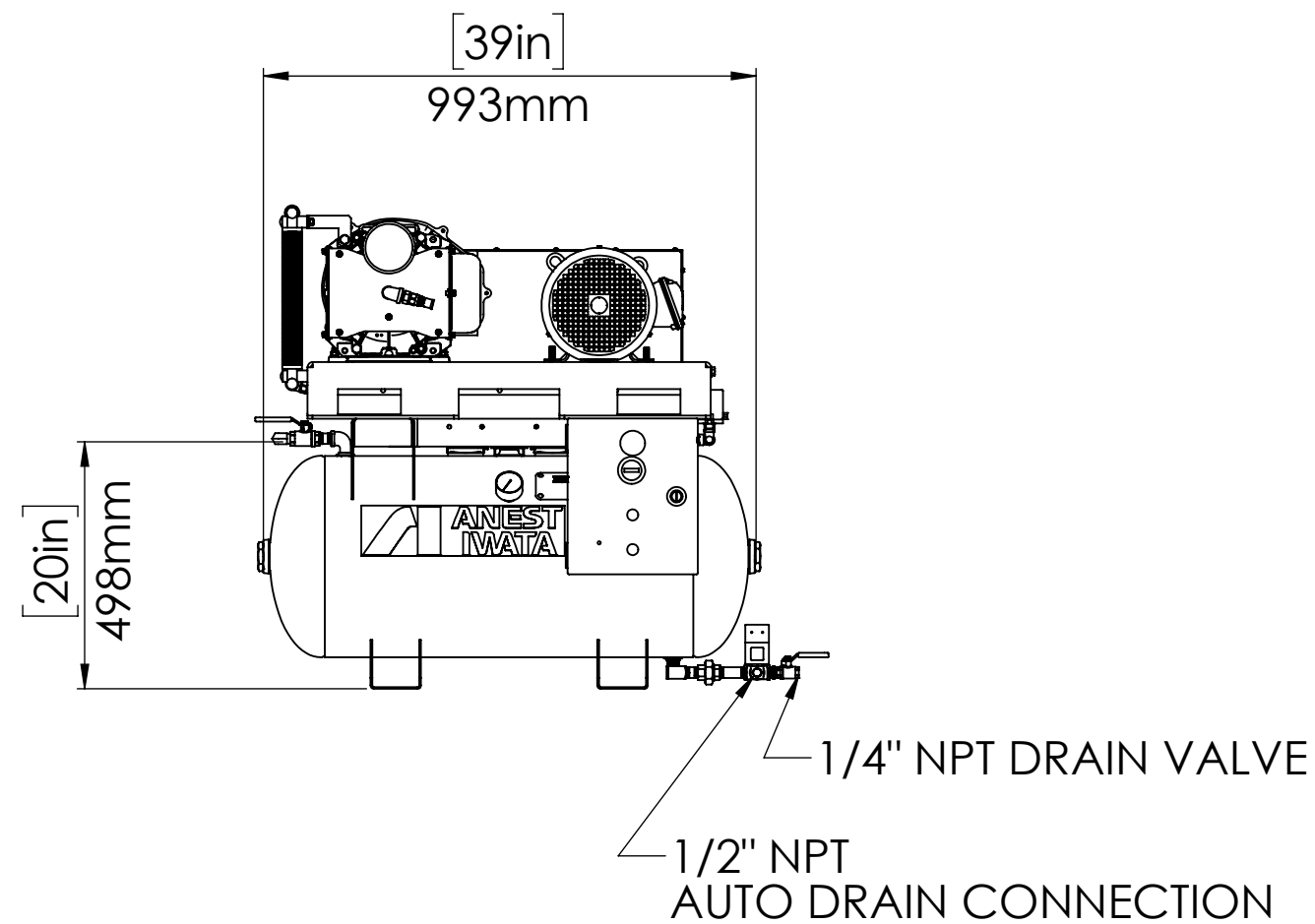



|                          |   |              |
|--------------------------|---|--------------|
|                          | SLT-3-FM-30                             | SLT-3H-FM-30 |
| HORSEPOWER               | 3                                       | 3            |
| OPERATING PRESSURE (PSI) | 85-115                                  | 115-145      |
| AIR DELIVERY (CFM)       | 7.0                                     | 5.9          |
| CONTROL SYSTEM           | MULTIPLE UNIT CONTROL - AUTO/START STOP |              |
| NOISE LEVEL (dB A)       | 62                                      |              |
| AIR OUTLET (BALL VALVE)  | 3/8" NPT                                |              |
| OPERATING VOLTAGE        | 3 PHASE, 208-230/460V, 60Hz             |              |
| DIMENSIONS (L x W x H)   | 39" x 29" x 38"                         |              |
| APPROX. WT. (LBS.)       | 330                                     |              |



- NOTES:
- 1) COMPRESSOR UNIT MUST BE INSTALLED IN A ROOM ON A FLAT FLOOR
  - 2) COMPRESSOR IS AN AIR COOLED UNIT - ROOM TEMPERATURE MUST NOT EXCEED 104° F  
EXHAUST DUCTS OR VENTILATING FAN MUST BE INSTALLED IF ROOM TEMPERATURE EXCEEDS 104° F
  - 3) PROVIDE ADEQUATE SPACE DURING INSTALLATION FOR NECESSARY MAINTENANCE AND REPAIRS  
ALLOW A MINIMUM OF 20" ON EACH SIDE AND 24" FROM TOP OF UNIT FROM WALLS
  - 4) CARE MUST BE TAKEN TO INSURE COMPRESSOR UNIT DOES NOT INTAKE HOT AIR OR DUST
  - 5) REFER TO INSTRUCTION MANUAL FOR ELECTRIC WIRING DIAGRAM
  - 6) SPEC IS SUBJECT TO CHANGE WITHOUT NOTICE

**PROPRIETARY AND CONFIDENTIAL**  
THE INFORMATION CONTAINED IN THIS DRAWING IS THE SOLE PROPERTY OF ANEST IWATA. ANY REPRODUCTION IN PART OR AS A WHOLE WITHOUT THE WRITTEN PERMISSION OF ANEST IWATA IS PROHIBITED.

|  |           |      |   |         |
|--|-----------|------|---|---------|
| UNLESS OTHERWISE SPECIFIED:              | NAME      | DATE | ANEST IWATA<br>Air Engineering Inc.  |         |
| DIMENSIONS ARE IN INCHES AND MILLIMETERS | DRAWN     | AMM  |   | 4/9/20  |
|  | CHECKED   | AGH  |   | 4/15/20 |
|  | ENG APPR. |      |   |         |
| INTERPRET GEOMETRIC TOLERANCING PER:     | Q.A.      |      | TITLE:<br><b>SLT-3(H)-FM-30</b><br>OIL-FREE SCROLL UNIT<br>TANK MOUNT COMPRESSOR<br>FILTER MEMBRANE DRYER                 |         |
| MATERIAL<br>ASS'Y                        | COMMENTS: |      |   |         |
| PART NO.                                 |           |      | SIZE DWG. NO. REV<br><b>B</b> SLT-3(H)-FM-30-R2 <b>2</b>  |         |
| DO NOT SCALE DRAWING                     |           |      | SCALE: 1:15 WEIGHT: SHEET 1 OF 1  |         |