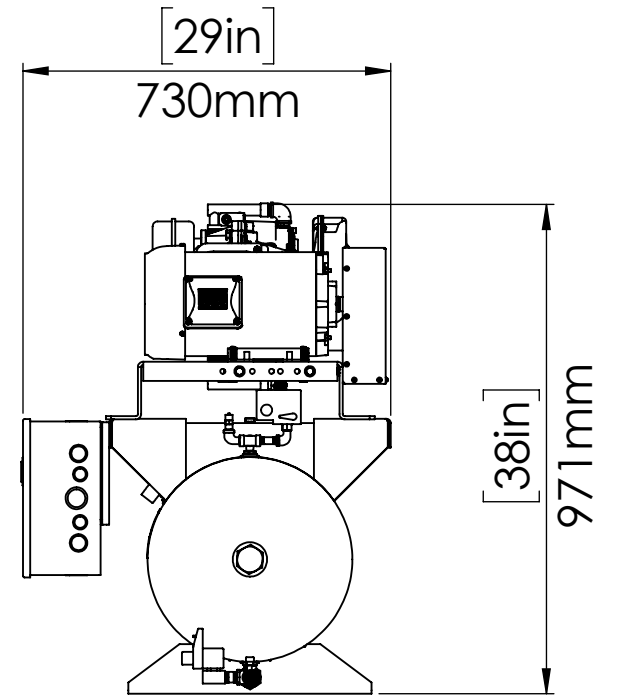
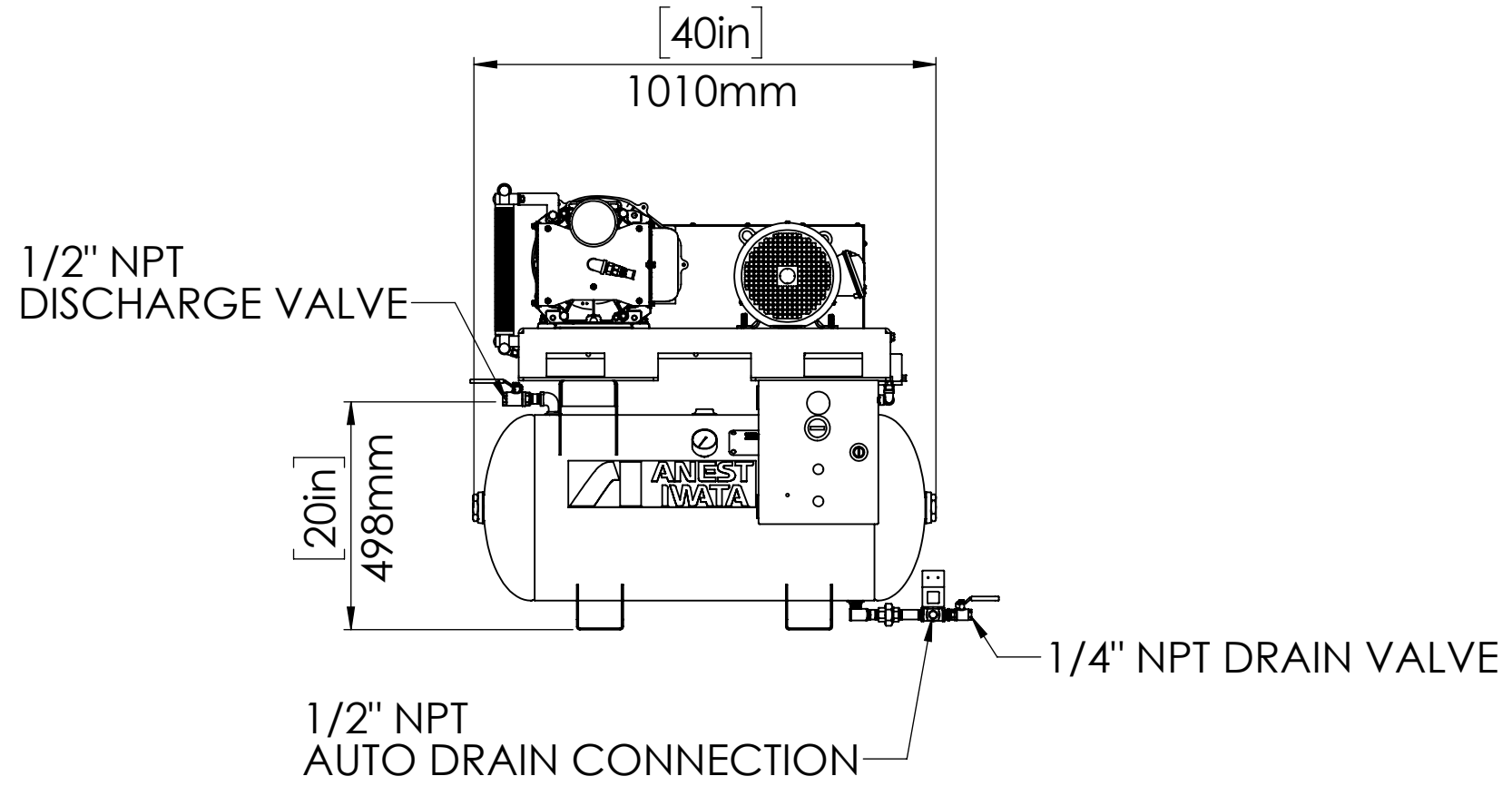



	SLT-3-30	SLT-3H-30
HORSEPOWER	3	3
OPERATING PRESSURE (PSI)	85-115	115-145
AIR DELIVERY (CFM)	7.8	6.4
CONTROL SYSTEM	MULTIPLE UNIT CONTROL - AUTO/START STOP	
NOISE LEVEL (dB A)	62	
AIR OUTLET (BALL VALVE)	1/2" NPT	
OPERATING VOLTAGE	3 PHASE, 208-230/460V, 60 Hz	
DIMENSIONS (L x W x H)	40" x 29" x 38"	
APPROX. WT. (LBS.)	320	



- NOTES:
- 1) COMPRESSOR UNIT MUST BE INSTALLED IN A ROOM ON A FLAT FLOOR
  - 2) COMPRESSOR IS AN AIR COOLED UNIT - ROOM TEMPERATURE MUST NOT EXCEED 104° F EXHAUST DUCTS OR VENTILATING FAN MUST BE INSTALLED IF ROOM TEMPERATURE EXCEEDS 104° F
  - 3) PROVIDE ADEQUATE SPACE DURING INSTALLATION FOR NECESSARY MAINTENANCE AND REPAIRS ALLOW A MINIMUM OF 20" ON EACH SIDE AND 24" FROM TOP OF UNIT FROM WALLS
  - 4) CARE MUST BE TAKEN TO INSURE COMPRESSOR UNIT DOES NOT INTAKE HOT AIR OR DUST
  - 5) REFER TO INSTRUCTION MANUAL FOR ELECTRIC WIRING DIAGRAM
  - 6) SPEC IS SUBJECT TO CHANGE WITHOUT NOTICE

**PROPRIETARY AND CONFIDENTIAL**  
 THE INFORMATION CONTAINED IN THIS DRAWING IS THE SOLE PROPERTY OF ANEST IWATA. ANY REPRODUCTION IN PART OR AS A WHOLE WITHOUT THE WRITTEN PERMISSION OF ANEST IWATA IS PROHIBITED.

UNLESS OTHERWISE SPECIFIED:		NAME	DATE	ANEST IWATA Air Engineering Inc. 
DIMENSIONS ARE IN INCHES AND MILLIMETERS	DRAWN	AMM	4/8/20	
	CHECKED	AGH	4/15/20	
	ENG APPR.			
	MFG APPR.			
	Q.A.			TITLE: <b>SLT-3(H)-30</b> OIL-FREE SCROLL UNIT TANK MOUNT COMPRESSOR
MATERIAL	ASS'Y	COMMENTS:		SIZE DWG. NO. REV
PART NO.				<b>B</b> SLT-3(H)-30-R2 <b>2</b>
DO NOT SCALE DRAWING				SCALE: 1:15 WEIGHT: SHEET 1 OF 1