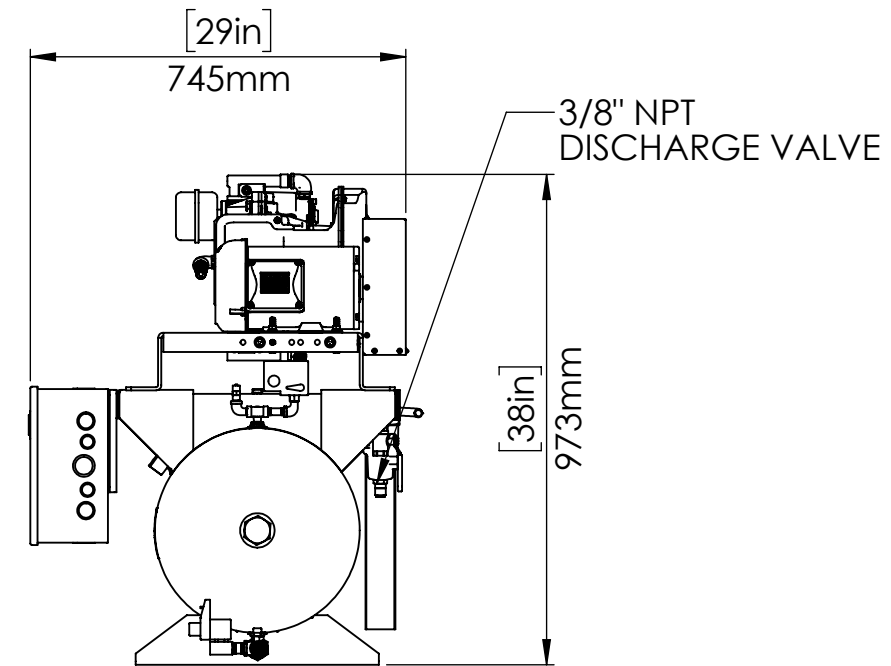
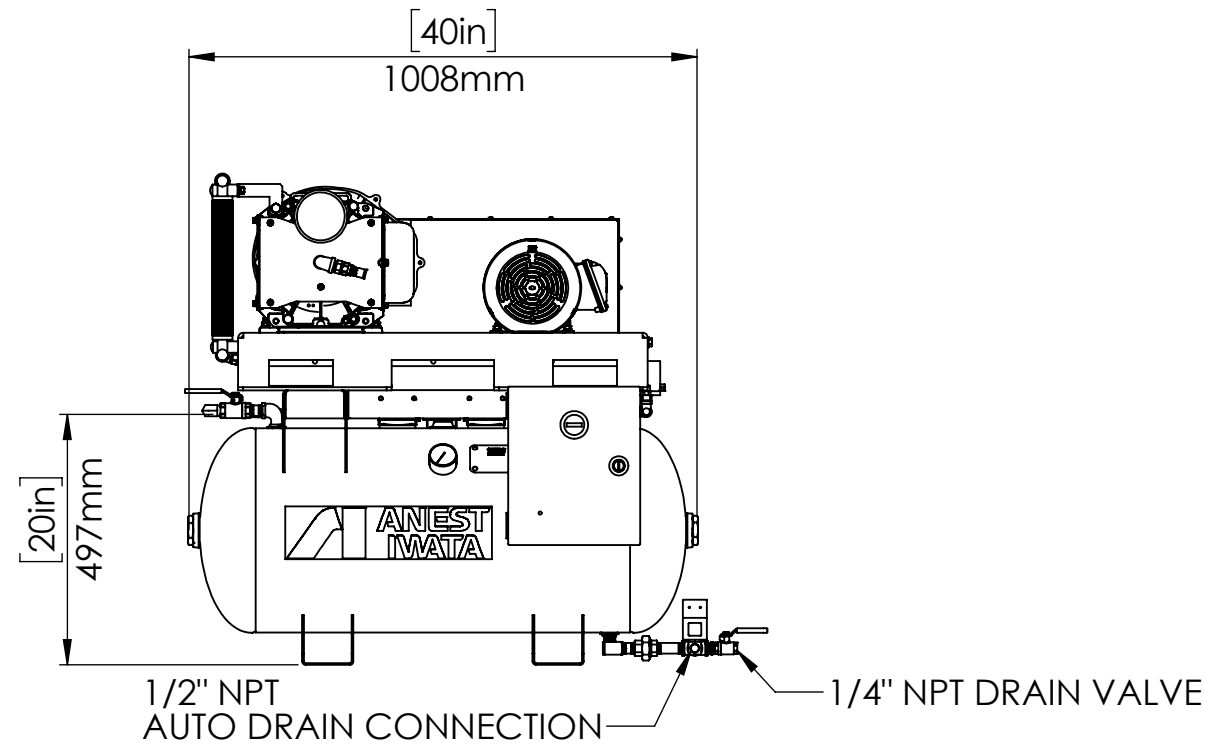


	SLT-2-FM-30	SLT-2H-FM-30
HORSEPOWER	2	2
OPERATING PRESSURE (PSI)	85-115	115-145
AIR DELIVERY (CFM)	4.8	4.0
CONTROL SYSTEM	MULTIPLE UNIT CONTROL - AUTO/START STOP	
NOISE LEVEL (dB A)	51	
AIR OUTLET (BALL VALVE)	3/8" NPT	
OPERATING VOLTAGE	1 PHASE, 115/208-230V, 60Hz 3 PHASE, 208-230/460V, 60Hz	
DIMENSIONS (L x W x H)	40" x 29" x 38"	
APPROX. WT. (LBS.)	320	



- NOTES:**
- 1) COMPRESSOR UNIT MUST BE INSTALLED IN A ROOM ON A FLAT FLOOR
 - 2) COMPRESSOR IS AN AIR COOLED UNIT - ROOM TEMPERATURE MUST NOT EXCEED 104° F EXHAUST DUCTS OR VENTILATING FAN MUST BE INSTALLED IF ROOM TEMPERATURE EXCEEDS 104° F
 - 3) PROVIDE ADEQUATE SPACE DURING INSTALLATION FOR NECESSARY MAINTENANCE AND REPAIRS ALLOW A MINIMUM OF 20" ON EACH SIDE AND 24" FROM TOP OF UNIT FROM WALLS
 - 4) CARE MUST BE TAKEN TO INSURE COMPRESSOR UNIT DOES NOT INTAKE HOT AIR OR DUST
 - 5) REFER TO INSTRUCTION MANUAL FOR ELECTRIC WIRING DIAGRAM
 - 6) SPEC IS SUBJECT TO CHANGE WITHOUT NOTICE

PROPRIETARY AND CONFIDENTIAL
THE INFORMATION CONTAINED IN THIS DRAWING IS THE SOLE PROPERTY OF **ANEST IWATA**. ANY REPRODUCTION IN PART OR AS A WHOLE WITHOUT THE WRITTEN PERMISSION OF **ANEST IWATA** IS PROHIBITED.

UNLESS OTHERWISE SPECIFIED:		NAME	DATE	ANEST IWATA Air Engineering Inc.	
DIMENSIONS ARE IN INCHES		DRAWN	AMM		4/9/20
		CHECKED	AGH		4/15/20
		ENG APPR.			
		MFG APPR.			
		Q.A.			
		COMMENTS:		SLT-2(H)-FM-30 OIL-FREE SCROLL UNIT TANK MOUNT COMPRESSOR FILTER MEMBRANE DRYER	
MATERIAL					
FINISH					
DO NOT SCALE DRAWING		SIZE	DWG. NO.	REV	
		B	SLT-2(H)-FM-30-R1	1	
		SCALE: 1:15	WEIGHT:	SHEET 1 OF 1	