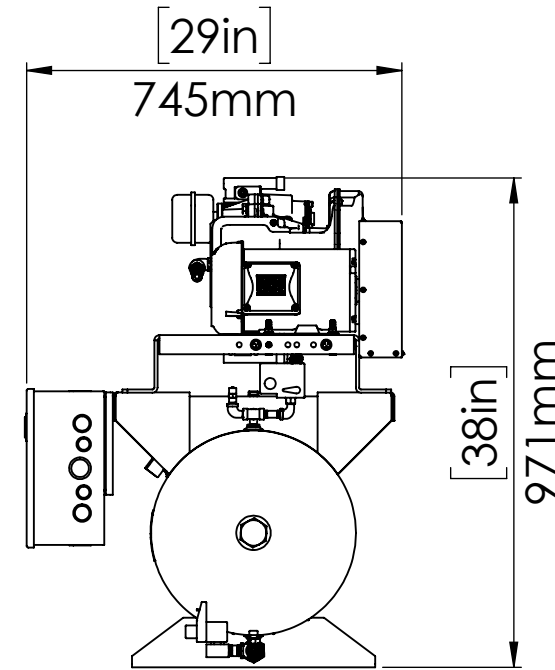
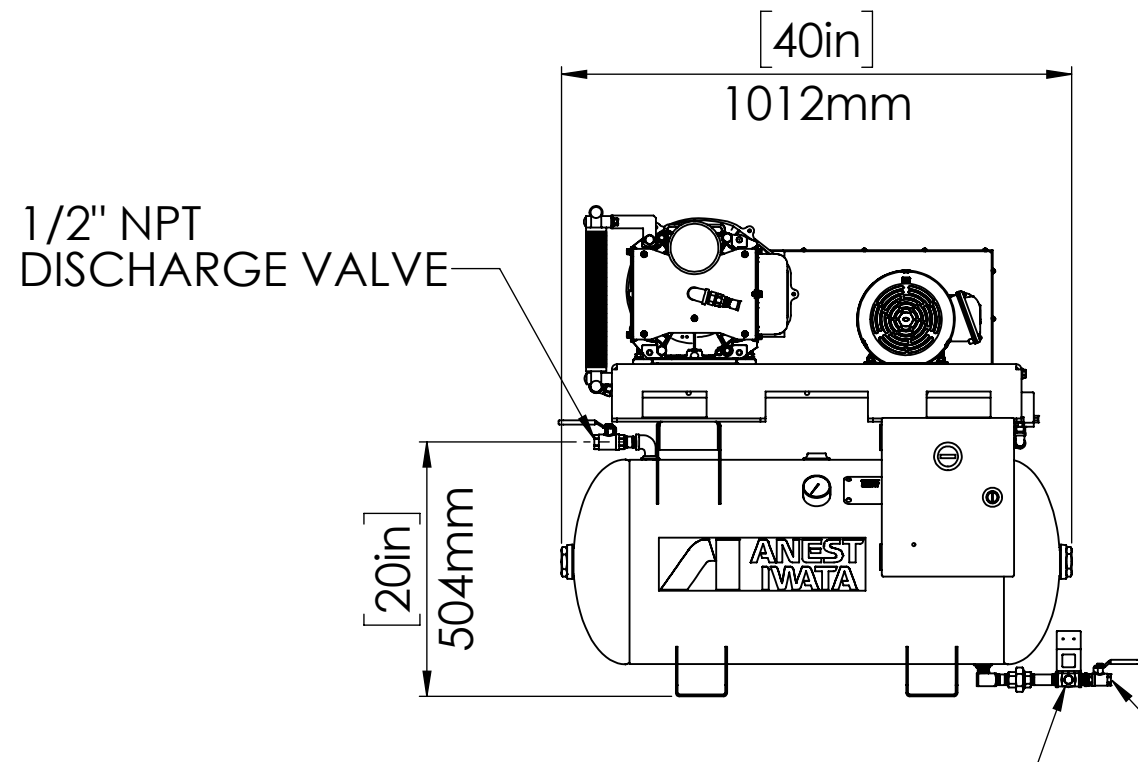


	SLT-2-30	SLT-2H-30
HORSEPOWER	2	2
OPERATING PRESSURE (PSI)	85-115	115-145
AIR DELIVERY (CFM)	5.3	4.5
CONTROL SYSTEM	MULTIPLE UNIT CONTROL - AUTO/START STOP	
NOISE LEVEL (dB A)	51	
AIR OUTLET (BALL VALVE)	1/2" NPT	
OPERATING VOLTAGE	1 PHASE, 115/208-230V, 60Hz 3 PHASE, 208-230/460V, 60Hz	
DIMENSIONS (L x W x H)	40" x 29" x 38"	
APPROX. WT. (LBS.)	310	




1/2" NPT  
AUTO DRAIN CONNECTION

1/4" NPT DRAIN VALVE

**NOTES:**

- 1) COMPRESSOR UNIT MUST BE INSTALLED IN A ROOM ON A FLAT FLOOR
- 2) COMPRESSOR IS AN AIR COOLED UNIT - ROOM TEMPERATURE MUST NOT EXCEED 104<MOD-DEG> F  
EXHAUST DUCTS OR VENTILATING FAN MUST BE INSTALLED IF ROOM TEMPERATURE EXCEEDS 104<MOD-DEG> F
- 3) PROVIDE ADEQUATE SPACE DURING INSTALLATION FOR NECESSARY MAINTENANCE AND REPAIRS  
ALLOW A MINIMUM OF 20" ON EACH SIDE AND 24" FROM TOP OF UNIT FROM WALLS
- 4) CARE MUST BE TAKEN TO INSURE COMPRESSOR UNIT DOES NOT INTAKE HOT AIR OR DUST
- 5) REFER TO INSTRUCTION MANUAL FOR ELECTRIC WIRING DIAGRAM
- 6) SPEC IS SUBJECT TO CHANGE WITHOUT NOTICE

**PROPRIETARY AND CONFIDENTIAL**  
THE INFORMATION CONTAINED IN THIS DRAWING IS THE SOLE PROPERTY OF ANEST IWATA. ANY REPRODUCTION IN PART OR AS A WHOLE WITHOUT THE WRITTEN PERMISSION OF ANEST IWATA IS PROHIBITED.

UNLESS OTHERWISE SPECIFIED:	NAME	DATE	 ANEST IWATA Air Engineering Inc.			
DIMENSIONS SHOWN IN INCHES AND MILLIMETERS	DRAWN	AGH 3/31/20				
	CHECKED	T. DOI 4/1/20				
	ENG APPR.					
	MFG APPR.					
	Q.A.		TITLE: <b>SLT-2(H)-30</b> OIL FREE SCROLL UNIT TANK MOUNT COMPRESSOR			
MATERIAL ASS'Y	COMMENTS:		SIZE <b>B</b>	DWG. NO. <b>SLT-2(H)-30</b>	REV <b>1</b>	
FINISH			SCALE: 1:15		WEIGHT:	SHEET 1 OF 1
DO NOT SCALE DRAWING						