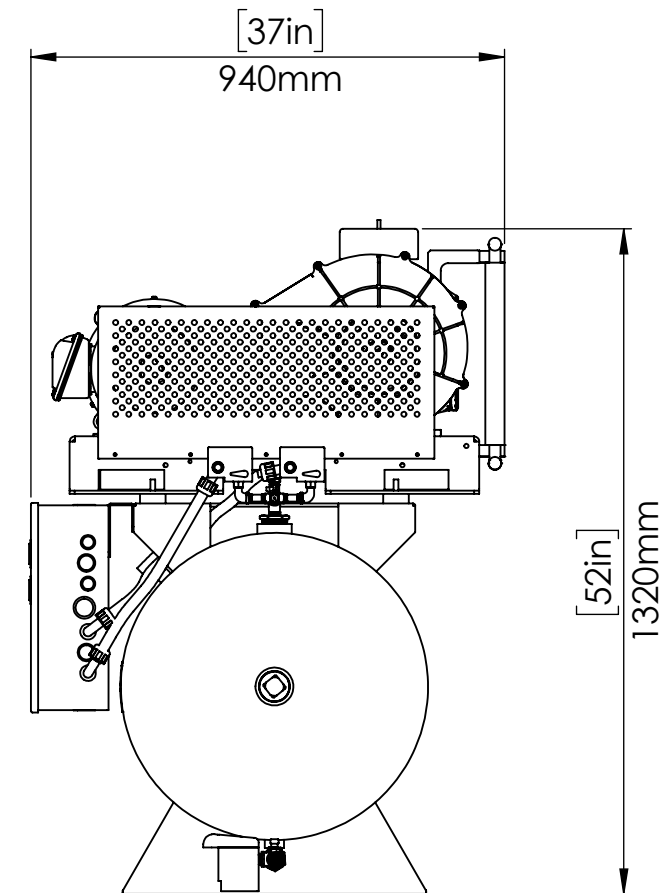
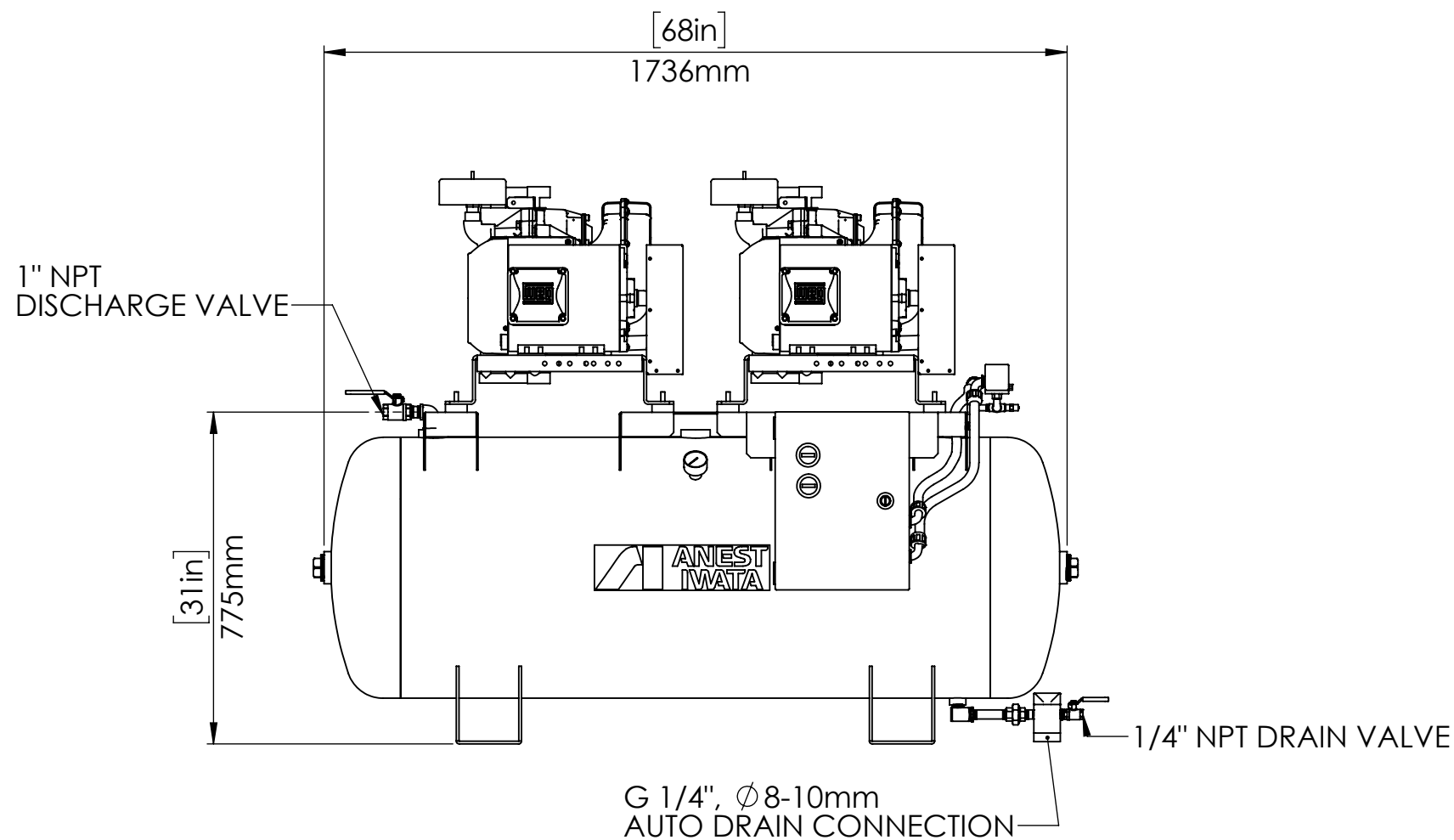



	SLT-15D-120
HORSEPOWER	15
OPERATING PRESSURE (PSI)	85-115 (LEAD PUMP) 75-105 (SECOND PUMP)
AIR DELIVERY (CFM)	45.2
CONTROL SYSTEM	MULTIPLE UNIT CONTROL - AUTO START/STOP
NOISE LEVEL (dB A)	78
AIR OUTLET (BALL VALVE)	1" NPT
OPERATING VOLTAGE	3 PHASE, 208-230V/460V, 60Hz
DIMENSIONS (LxWxH)	68" x 37" x 52"
APPROX. WT. (LBS.)	1010



- NOTES:**
- 1) COMPRESSOR UNIT MUST BE INSTALLED IN A ROOM ON A FLAT FLOOR
 - 2) COMPRESSOR IS AN AIR COOLED UNIT - ROOM TEMPERATURE MUST NOT EXCEED 104<MOD-DEG> F
EXHAUST DUCTS OR VENTILATING FAN MUST BE INSTALLED IF ROOM TEMPERATURE EXCEEDS 104<MOD-DEG> F
 - 3) PROVIDE ADEQUATE SPACE DURING INSTALLATION FOR NECESSARY MAINTENANCE AND REPAIRS
ALLOW A MINIMUM OF 20" ON EACH SIDE AND 24" FROM TOP OF UNIT FROM WALLS
 - 4) CARE MUST BE TAKEN TO INSURE COMPRESSOR UNIT DOES NOT INTAKE HOT AIR OR DUST
 - 5) REFER TO INSTRUCTION MANUAL FOR ELECTRIC WIRING DIAGRAM
 - 6) SPEC IS SUBJECT TO CHANGE WITHOUT NOTICE

PROPRIETARY AND CONFIDENTIAL
THE INFORMATION CONTAINED IN THIS DRAWING IS THE SOLE PROPERTY OF ANEST IWATA. ANY REPRODUCTION IN PART OR AS A WHOLE WITHOUT THE WRITTEN PERMISSION OF ANEST IWATA IS PROHIBITED.

UNLESS OTHERWISE SPECIFIED:		NAME	DATE	 ANEST IWATA Air Engineering Inc.		
DIMENSIONS SHOWN IN INCHES AND MILLIMETERS	DRAWN	AGH	4/6/20			
	CHECKED	AMM	4/8/20			
	ENG APPR.					
	MFG APPR.					
		Q.A.		TITLE: SLT-15D-120 OIL FREE SCROLL UNIT TANK MOUNT COMPRESSOR		
MATERIAL	ASS'Y		COMMENTS:	SIZE B	DWG. NO. SLT-15D-120-R1	REV 1
PART NO.				SCALE: 1:15	WEIGHT:	SHEET 1 OF 1
DO NOT SCALE DRAWING						