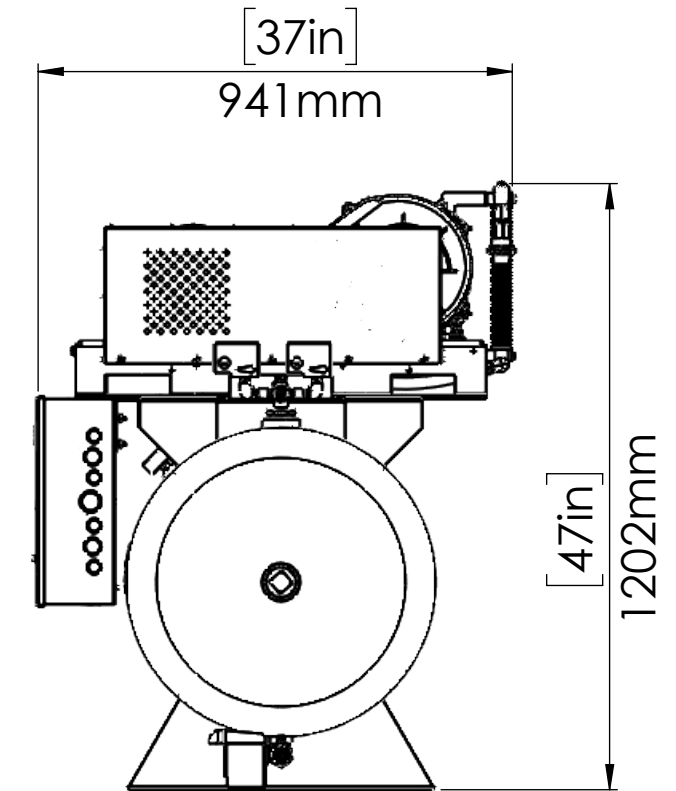
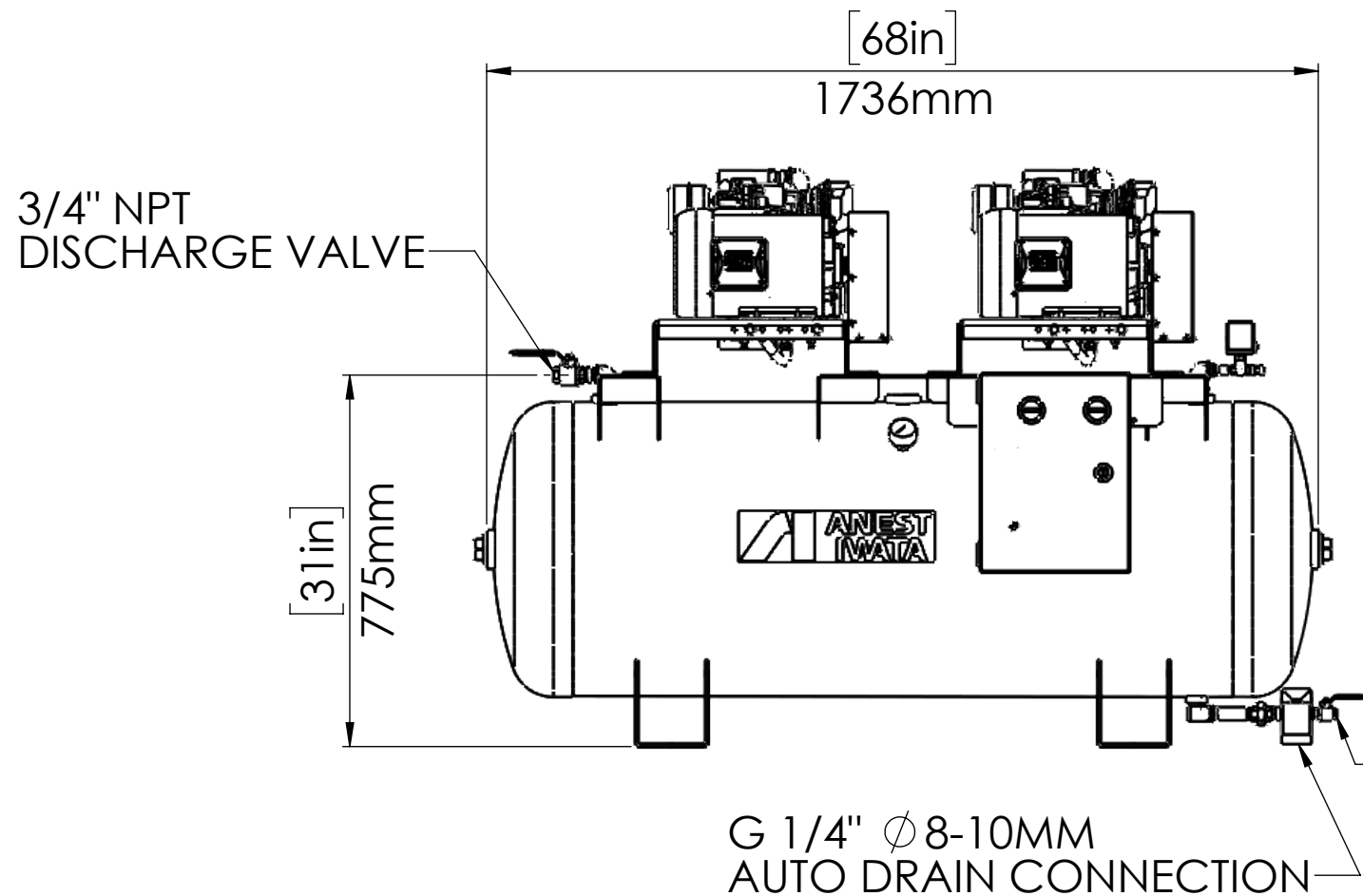


	SLT-10D-120	SLT-10DH-120
HORSEPOWER	10	
OPERATING PRESSURE (PSI)	85-115 (LEAD PUMP) 75-105 (SECOND PUMP)	115-145 (LEAD PUMP) 105-135 (SECOND PUMP)
AIR DELIVERY (CFM)	29.6	23.4
CONTROL SYSTEM	MULTIPLE UNIT CONTROL - AUTO START/STOP	
NOISE LEVEL (dB A)	72	
AIR OUTLET (BALL VALVE)	3/4" NPT	
OPERATING VOLTAGE	3 PHASE, 208-230V/460V, 60Hz	
DIMENSIONS (LxWxH)	68" x 37" x 47"	
APPROX. WT. (LBS.)	705	




1/4" NPT DRAIN VALVE

G 1/4" ϕ 8-10MM
AUTO DRAIN CONNECTION

NOTES:

- 1) COMPRESSOR UNIT MUST BE INSTALLED IN A ROOM ON A FLAT FLOOR
- 2) COMPRESSOR IS AN AIR COOLED UNIT - ROOM TEMPERATURE MUST NOT EXCEED 104° F
EXHAUST DUCTS OR VENTILATING FAN MUST BE INSTALLED IF ROOM TEMPERATURE EXCEEDS 104° F
- 3) PROVIDE ADEQUATE SPACE DURING INSTALLATION FOR NECESSARY MAINTENANCE AND REPAIRS
ALLOW A MINIMUM OF 20" ON EACH SIDE AND 24" FROM TOP OF UNIT FROM WALLS
- 4) CARE MUST BE TAKEN TO INSURE COMPRESSOR UNIT DOES NOT INTAKE HOT AIR OR DUST
- 5) REFER TO INSTRUCTION MANUAL FOR ELECTRIC WIRING DIAGRAM
- 6) SPEC IS SUBJECT TO CHANGE WITHOUT NOTICE

PROPRIETARY AND CONFIDENTIAL
THE INFORMATION CONTAINED IN THIS DRAWING IS THE SOLE PROPERTY OF ANEST IWATA. ANY REPRODUCTION IN PART OR AS A WHOLE WITHOUT THE WRITTEN PERMISSION OF ANEST IWATA IS PROHIBITED.

UNLESS OTHERWISE SPECIFIED:		NAME	DATE	 ANEST IWATA Air Engineering Inc.
DIMENSIONS ARE SHOWN IN INCHES AND MILLIMETERS		DRAWN	AGH 4/7/20	
		CHECKED	AMM 4/8/20	
		ENG APPR.		
		MFG APPR.		
		Q.A.		TITLE:
		COMMENTS:		SLT-10D(H)-120 OIL FREE SCROLL UNIT TANK MOUNT COMPRESSOR
MATERIAL	ASS'Y	SIZE	DWG. NO.	REV
PART NO.		B	SLT-10D-120-R1	1
DO NOT SCALE DRAWING		SCALE: 1:15 WEIGHT:		SHEET 1 OF 1