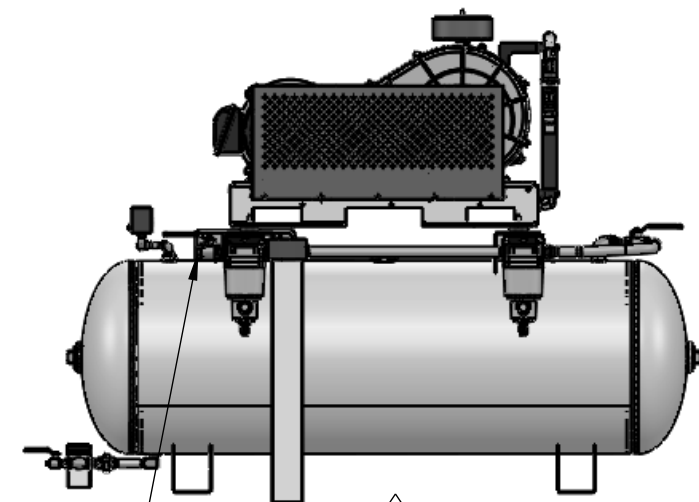
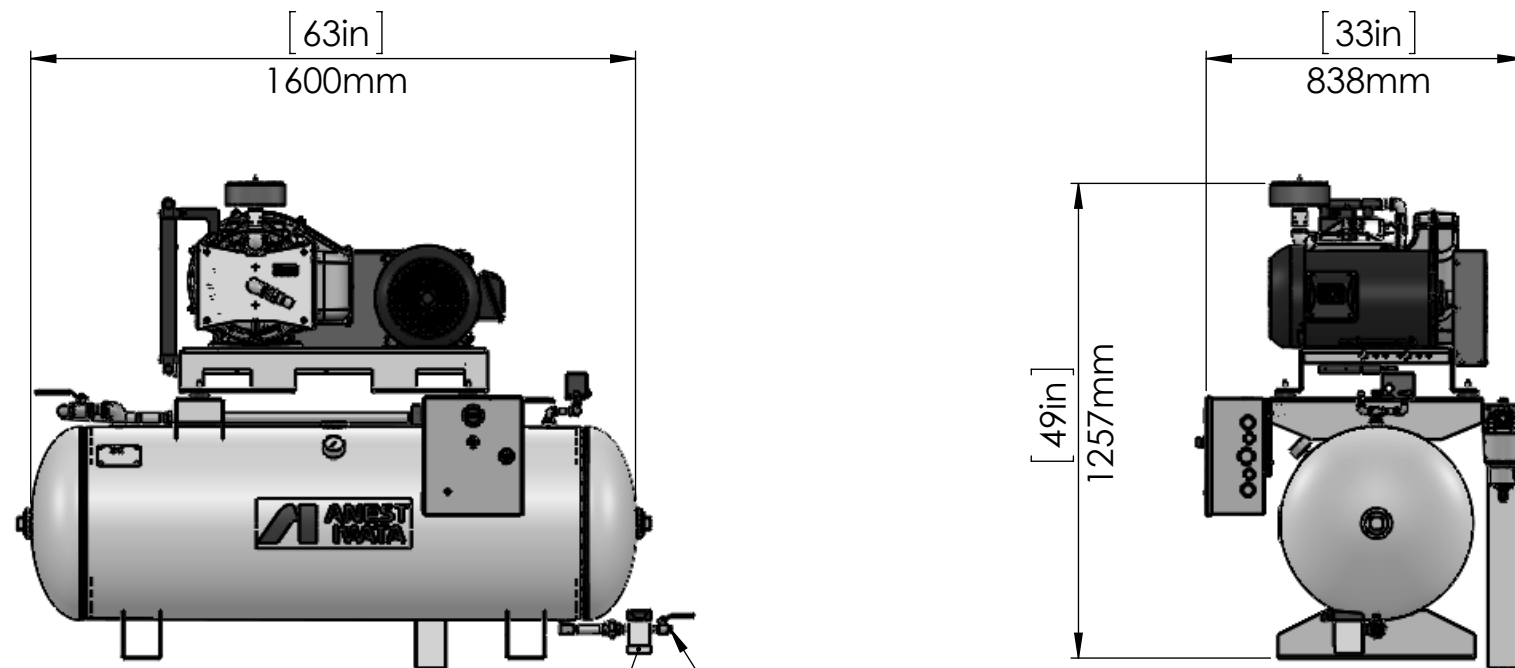
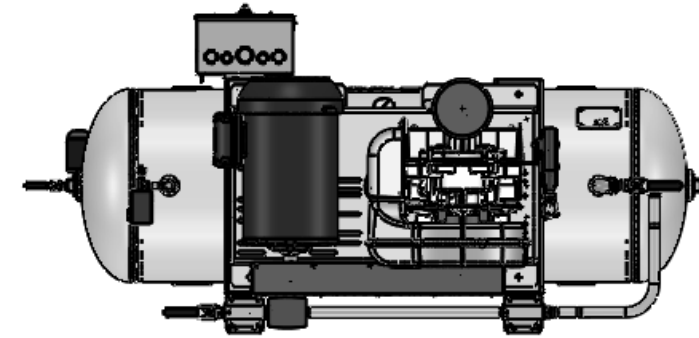


	SLT-10-FM-80
HORSEPOWER	10
OPERATING PRESSURE (PSI)	85-115
AIR DELIVERY (CFM)	26.9
CONTROL SYSTEM	MULTIPLE UNIT CONTROL - AUTO START/STOP
NOISE LEVEL (dB A)	75
AIR OUTLET (BALL VALVE)	3/4" NPT
OPERATING VOLTAGE	3 PHASE, 208-230V/460V, 60Hz
DIMENSIONS (LxWxH)	63" x 33" x 49"
APPROX. WT. (LBS.)	595



1/4" NPT DRAIN VALVE
G 1/4", Ø8-10mm
AUTO DRAIN CONNECTION

3/4" NPT
DISCHARGE VALVE

REVISIONS

1) 07/26/16 REMOVED FINAL FILTER FROM FILTER MEMBRANE DRYER
ADD FINAL FILTER

- NOTES:**
- 1) COMPRESSOR UNIT MUST BE INSTALLED IN A ROOM ON A FLAT FLOOR
 - 2) COMPRESSOR IS AN AIR COOLED UNIT - ROOM TEMPERATURE MUST NOT EXCEED 104° F
EXHAUST DUCTS OR VENTILATING FAN MUST BE INSTALLED IF ROOM TEMPERATURE EXCEEDS 104° F
 - 3) PROVIDE ADEQUATE SPACE DURING INSTALLATION FOR NECESSARY MAINTENANCE AND REPAIRS
ALLOW A MINIMUM OF 20" ON EACH SIDE AND 24" FROM TOP OF UNIT FROM WALLS
 - 4) CARE MUST BE TAKEN TO INSURE COMPRESSOR UNIT DOES NOT INTAKE HOT AIR OR DUST
 - 5) REFER TO INSTRUCTION MANUAL FOR ELECTRIC WIRING DIAGRAM
 - 6) SPEC IS SUBJECT TO CHANGE WITHOUT NOTICE

PROPRIETARY AND CONFIDENTIAL
THE INFORMATION CONTAINED IN THIS
DRAWING IS THE SOLE PROPERTY OF
ANEST IWATA Air Engineering Inc. ANY
REPRODUCTION IN PART OR AS A WHOLE
WITHOUT THE WRITTEN PERMISSION OF
ANEST IWATA Air Engineering Inc. IS
PROHIBITED.

		UNLESS OTHERWISE SPECIFIED:		NAME	DATE	ANEST IWATA Air Engineering Inc.
				DRAWN	GJC 3/28/16	
				CHECKED	T.DOI 7/26/16	
				ENG APPR.	T.DOI 7/26/16	
				MFG APPR.	AMM 12/12/19	TITLE: SLT-10-FM-80 OIL-FREE SCROLL UNIT TANK MOUNT COMPRESSOR FILTER MEMBRANE DRYER
				Q.A.		
				COMMENTS:		SIZE DWG. NO. REV
NEXT ASSY		USED ON				B SLT-10-FM-80-R1 1
APPLICATION		DO NOT SCALE DRAWING				SCALE: 1:20 WEIGHT: SHEET 1 OF 1