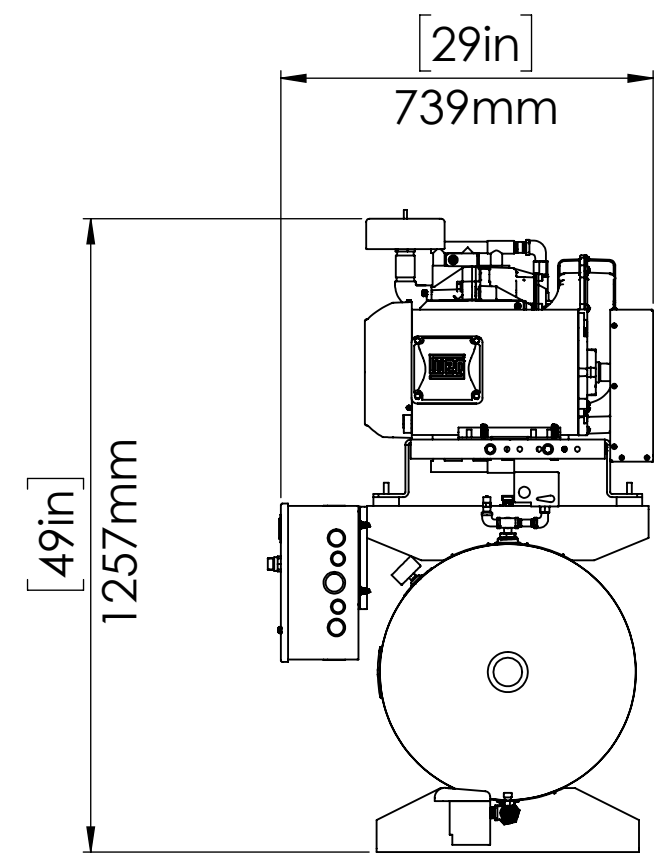
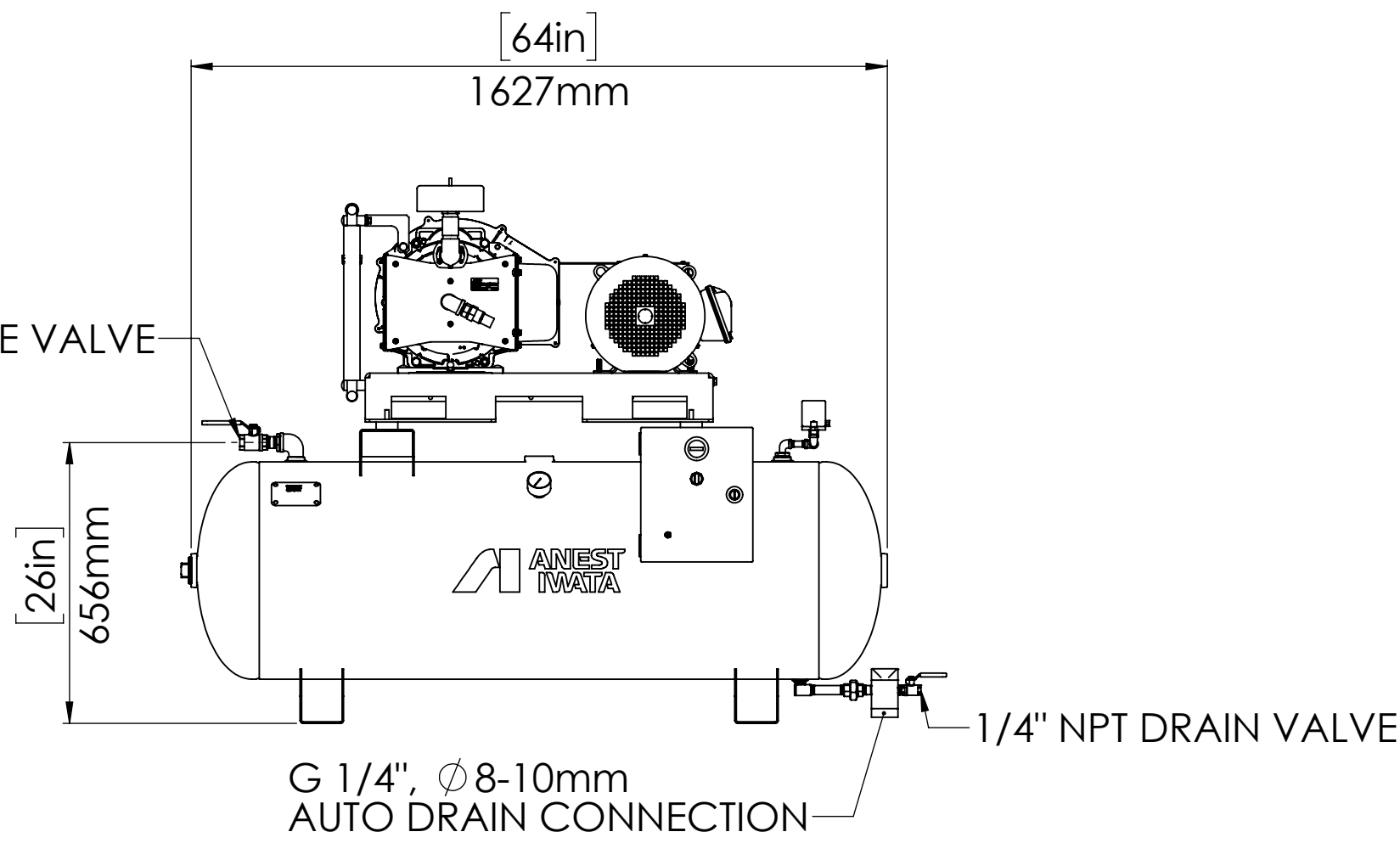


	SLT-10-80
HORSEPOWER	10
OPERATING PRESSURE (PSI)	85-115
AIR DELIVERY (CFM)	29.7
CONTROL SYSTEM	MULTIPLE UNIT CONTROL - AUTO START/STOP
NOISE LEVEL (dB A)	75
AIR OUTLET (BALL VALVE)	3/4" NPT
OPERATING VOLTAGE	3 PHASE, 208-230V/460V, 60Hz
DIMENSIONS (LxWxH)	64" x 29" x 49"
APPROX. WT. (LBS.)	580



- NOTES:**
- 1) COMPRESSOR UNIT MUST BE INSTALLED IN A ROOM ON A FLAT FLOOR
 - 2) COMPRESSOR IS AN AIR COOLED UNIT - ROOM TEMPERATURE MUST NOT EXCEED 104° F
EXHAUST DUCTS OR VENTILATING FAN MUST BE INSTALLED IF ROOM TEMPERATURE EXCEEDS 104° F
 - 3) PROVIDE ADEQUATE SPACE DURING INSTALLATION FOR NECESSARY MAINTENANCE AND REPAIRS
ALLOW A MINIMUM OF 20" ON EACH SIDE AND 24" FROM TOP OF UNIT FROM WALLS
 - 4) CARE MUST BE TAKEN TO INSURE COMPRESSOR UNIT DOES NOT INTAKE HOT AIR OR DUST
 - 5) REFER TO INSTRUCTION MANUAL FOR ELECTRIC WIRING DIAGRAM
 - 6) SPEC IS SUBJECT TO CHANGE WITHOUT NOTICE

PROPRIETARY AND CONFIDENTIAL
THE INFORMATION CONTAINED IN THIS DRAWING IS THE SOLE PROPERTY OF ANEST IWATA. ANY REPRODUCTION IN PART OR AS A WHOLE WITHOUT THE WRITTEN PERMISSION OF ANEST IWATA IS PROHIBITED.

UNLESS OTHERWISE SPECIFIED:		NAME	DATE		
DIMENSIONS ARE SHOWN IN INCHES AND MILLIMETERS		DRAWN	AGH		4/7/20
		CHECKED	AMM		4/8/20
		ENG APPR.			
		MFG APPR.			
		Q.A.			
		COMMENTS:		TITLE: SLT-10-80 OIL FREE SCROLL UNIT TANK MOUNT COMPRESSOR	
MATERIAL	ASS'Y	SIZE	DWG. NO.		REV
PART NO.		B	SLT-10-80-R2		2
DO NOT SCALE DRAWING		SCALE: 1:15 WEIGHT:		SHEET 1 OF 3	