

8 7 6 5 4 3 2 1

D

D

C

C

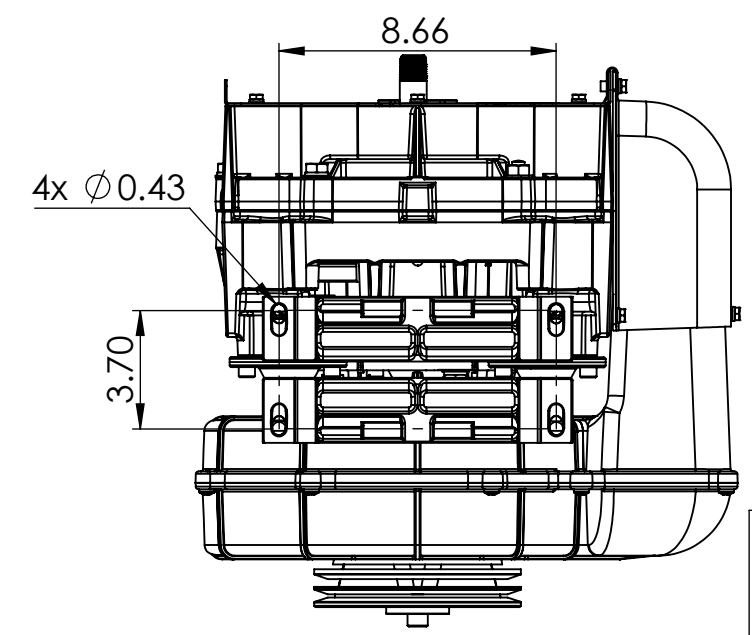
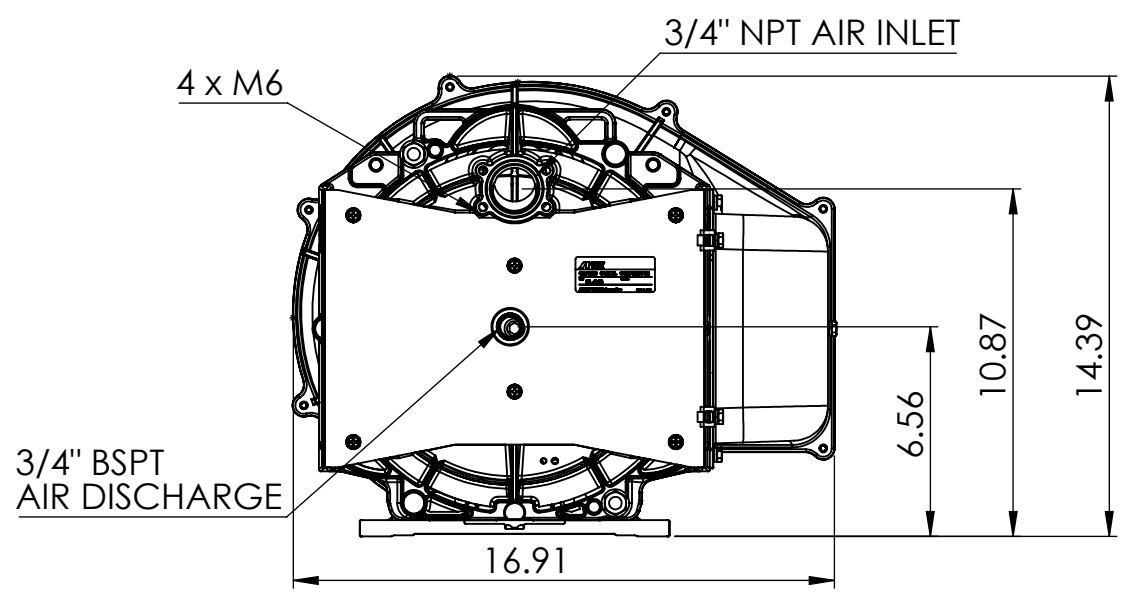
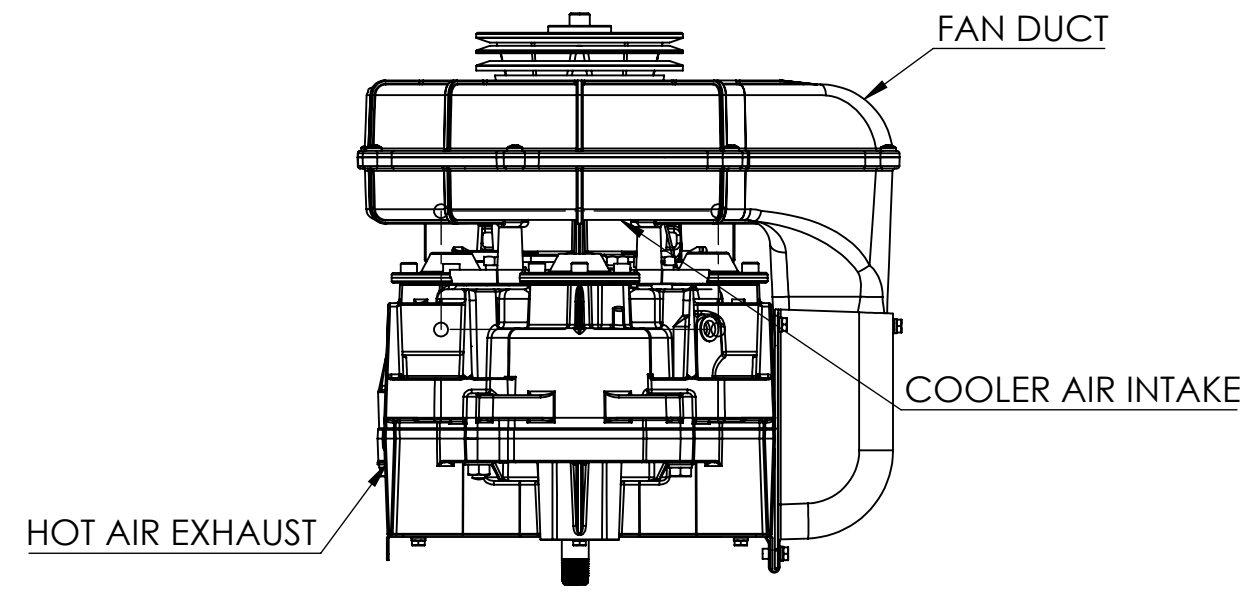
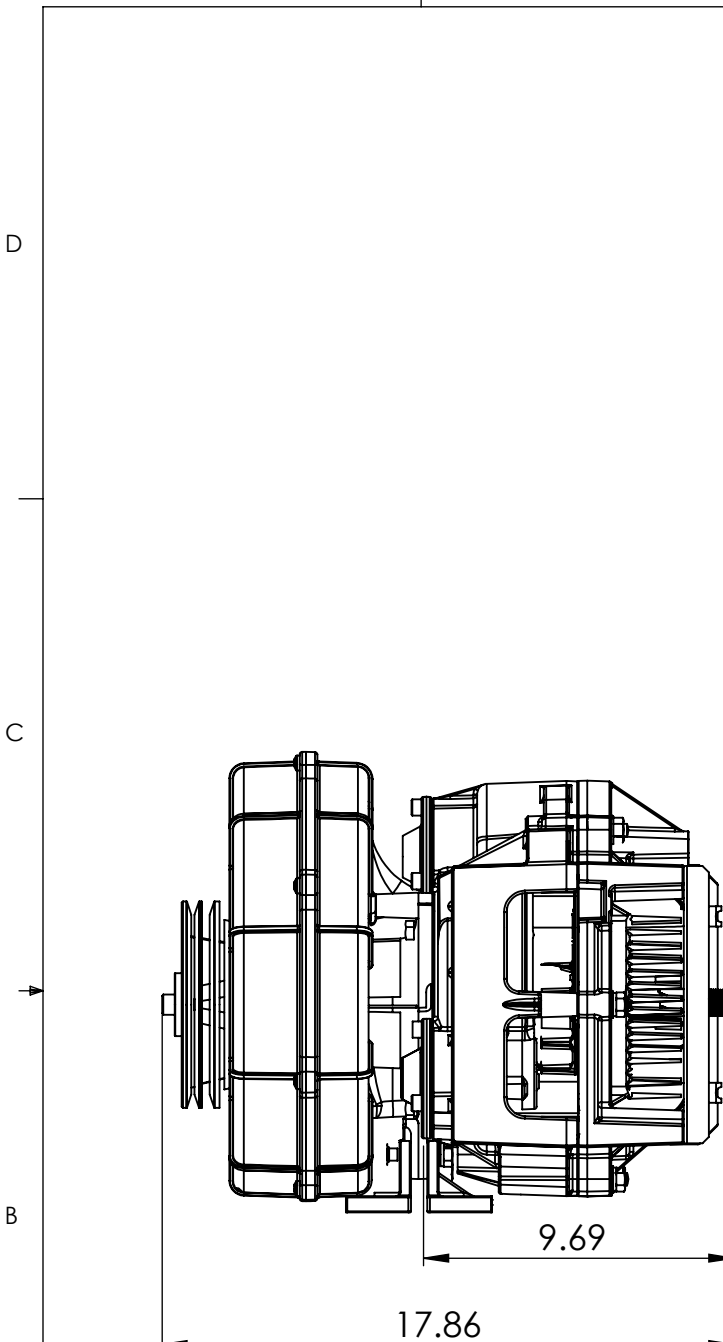
B

B

A

A

8 7 6 5 4 3 2 1



ITEMS	SL-205-US	SL-210-US
MAX OPERATING PRESSURE (PSI)	116	
F.A.D (CFM)	22.6	29.7
MAX OPERATING RPM	2800	3200
OPERATING TEMP	36 TO 104 degree F	

ITEMS	SL-2051-US	SL-2101-US
MAX OPERATING PRESSURE (PSI)	145	
F.A.D (CFM)	16.2	23.3
MAX OPERATING RPM	2650	3100
OPERATING TEMP	36 TO 104 degree F	

- NOTES:**
- 1) COMPRESSOR PUMP MUST BE INSTALLED IN A UNIT ON A FLAT FLOOR
 - 2) COMPRESSOR IS AN AIR COOLED UNIT - ROOM TEMPERATURE MUST NOT EXCEED 104° F
EXHAUST DUCTS OR VENTILATING FAN MUST BE INSTALLED IF ROOM TEMPERATURE EXCEEDS 104° F
 - 3) CARE MUST BE TAKEN TO INSURE COMPRESSOR UNIT DOES NOT INTAKE HOT AIR OR DUST
 - 4) SPEC IS SUBJECT TO CHANGE WITHOUT NOTICE

PROPRIETARY AND CONFIDENTIAL
 THE INFORMATION CONTAINED IN THIS DRAWING IS THE SOLE PROPERTY OF **ANEST IWATA**. ANY REPRODUCTION IN PART OR AS A WHOLE WITHOUT THE WRITTEN PERMISSION OF **ANEST IWATA** IS PROHIBITED.

UNLESS OTHERWISE SPECIFIED:	NAME	DATE		
DIMENSIONS ARE IN INCHES	DRAWN	AMM		6/11/20
	CHECKED			
	ENG APPR.			
	MFG APPR.			
	Q.A.			
	COMMENTS:			
MATERIAL	ASS'Y		TITLE: SL-205/2051/210/2101-US OILESS SCROLL COMPRESSOR	
PART NO.	SL-205-US			
DO NOT SCALE DRAWING				
	SIZE	DWG. NO.	REV	
	B	SL-205-US		
	SCALE: 1:6	WEIGHT:	SHEET 1 OF 1	