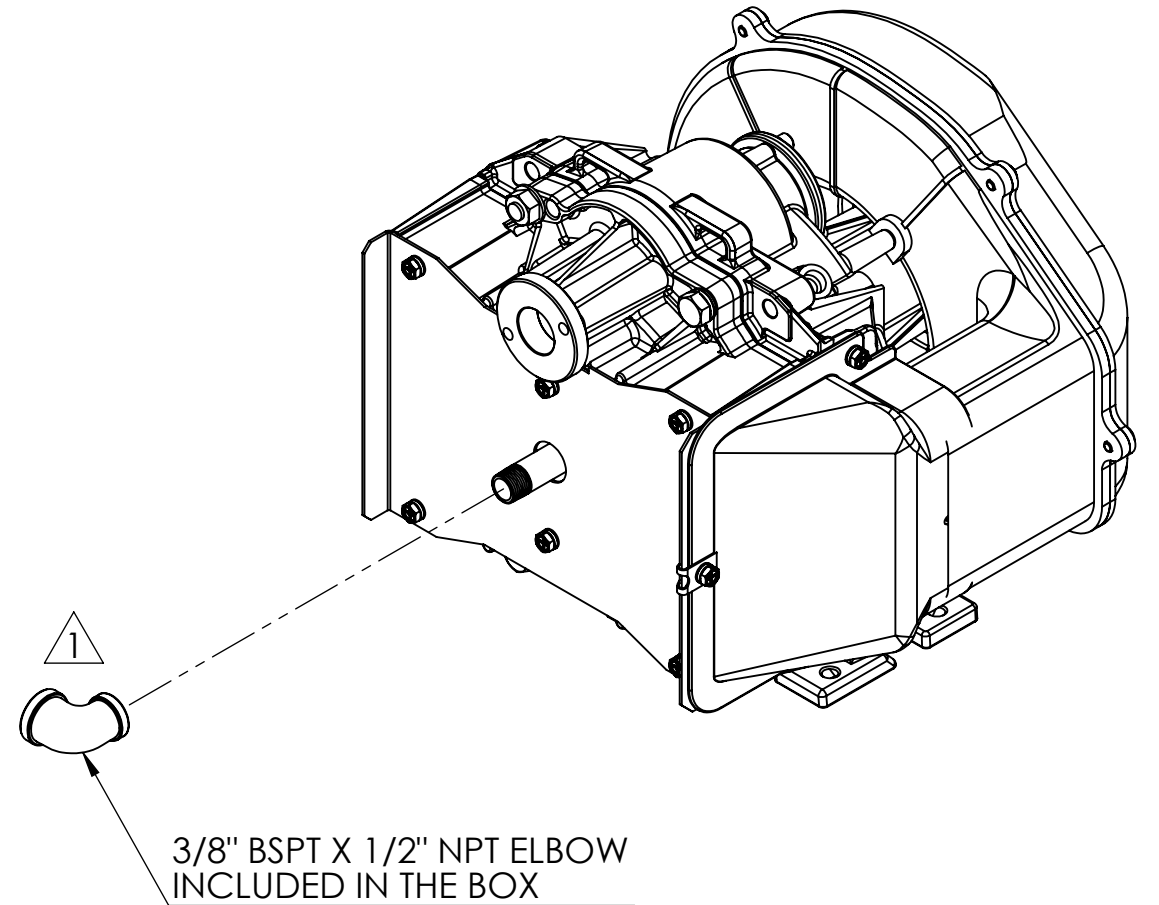
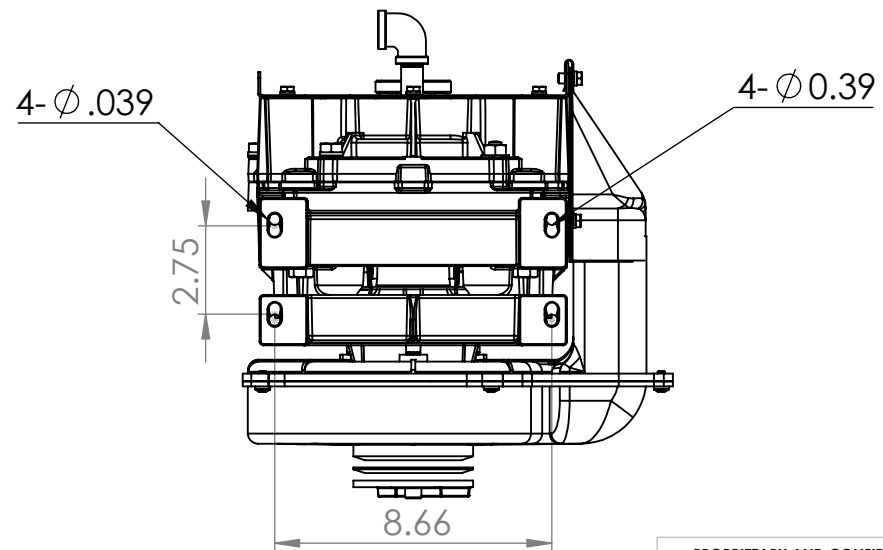
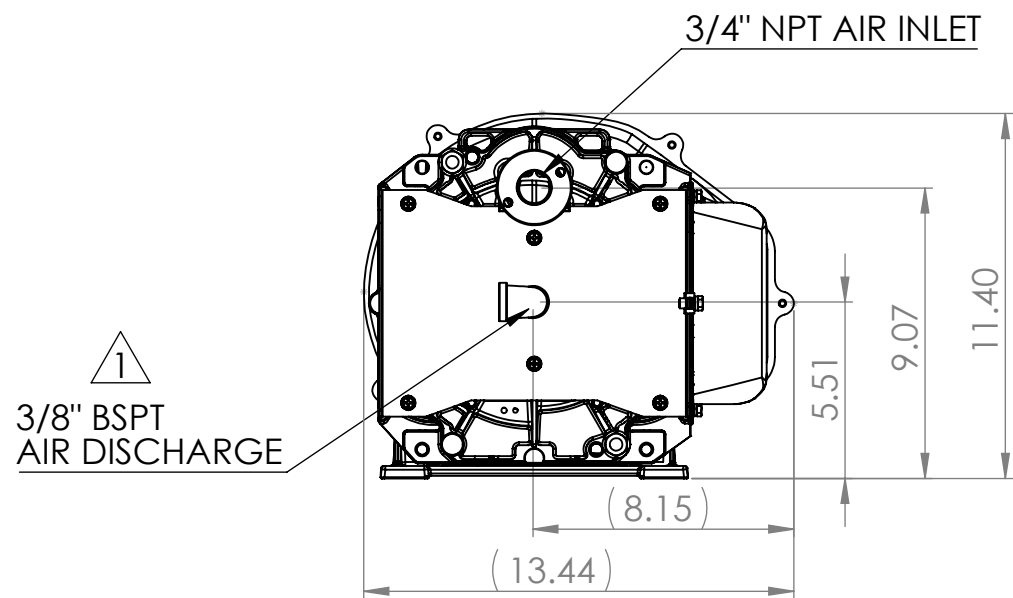
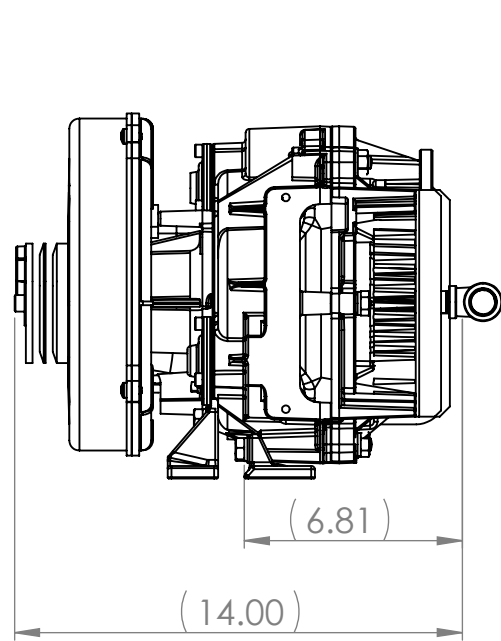
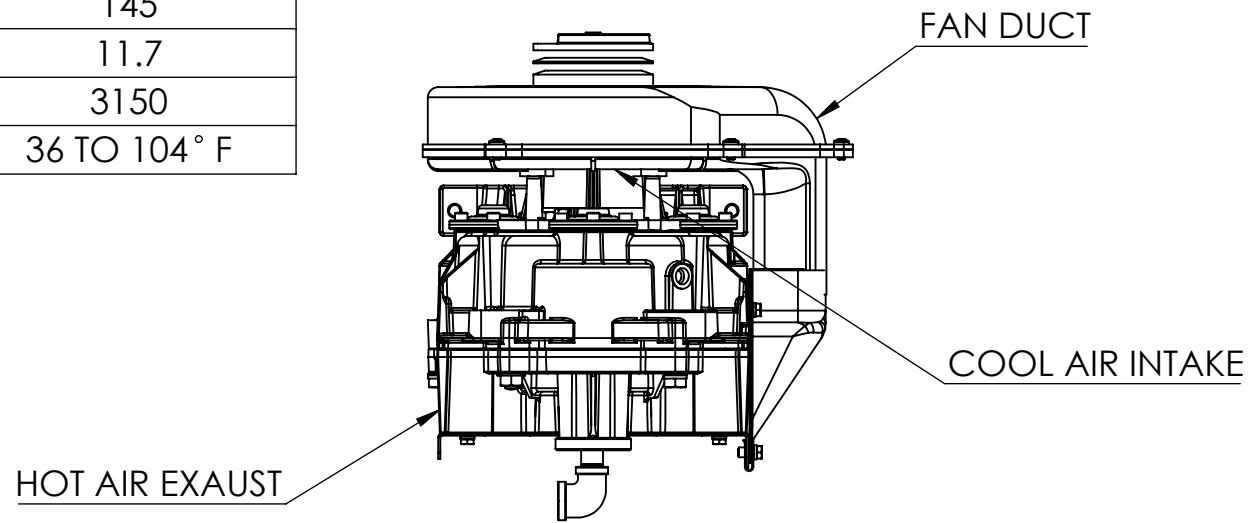


ITEM		SL-1651E-US
MAX OPERATING PRESSURE	PSI	145
F.A.D.	CFM	11.7
MAX OPERATING RPM	RPM	3150
OPERATING TEMP		36 TO 104° F



NOTES:

- 1) COMPRESSOR PUMP MUST BE INSTALLED IN A UNIT ON A FLAT FLOOR
- 2) COMPRESSOR IS AN AIR COOLED UNIT - ROOM TEMPERATURE MUST NOT EXCEED 104° F
EXHAUST DUCTS OR VENTILATING FAN MUST BE INSTALLED IF ROOM TEMPERATURE EXCEEDS 104° F
- 3) CARE MUST BE TAKEN TO INSURE COMPRESSOR UNIT DOES NOT INTAKE HOT AIR OR DUST
- 4) SPEC IS SUBJECT TO CHANGE WITHOUT NOTICE

PROPRIETARY AND CONFIDENTIAL
THE INFORMATION CONTAINED IN THIS DRAWING IS THE SOLE PROPERTY OF ANEST IWATA. ANY REPRODUCTION IN PART OR AS A WHOLE WITHOUT THE WRITTEN PERMISSION OF ANEST IWATA IS PROHIBITED.

MATERIAL ASS'Y
PART NO. SL-1651E-US
DO NOT SCALE DRAWING

	NAME	DATE
DRAWN	SDR	8/11/20
CHECKED	SDR	8/11/20
ENG APPR.	T.DOI	8/11/20
MFG APPR.	T.DOI	8/11/20
Q.A.		
COMMENTS:		

ANEST IWATA
Air Engineering Inc.

TITLE:
SL-1651E-US
OILESS SCROLL AIR COMPRESSOR

SIZE	DWG. NO.	REV
B	SL-1651E-US	1
SCALE: 1:6	WEIGHT:	SHEET 1 OF 1