


New

Turbo molecular vacuum pump Combination Bearings

TMP-B



TMP-B70



TMP-B300

- Thin film coating, Sputtering
- Molding, MOCVD
- Plasma cleaner, Laminator
- Analytical instrument
- Load lock, PVD
- Li-ion battery
- Gas recovery/circulation

Long maintenance interval

A proprietary damping mechanism provides low vibration and bearing cooling. The combination of magnetic and ceramic bearings delivers high reliability and long service life.

Mounted in any orientation

The pump unit can be mounted in vertical, horizontal, or any inverted orientation.

Combination with Scroll vacuum pump

When used with our ISP scroll vacuum pump, the TMP/scroll combination provides the ability to pump down from atmospheric pressure to ultra-high vacuum.

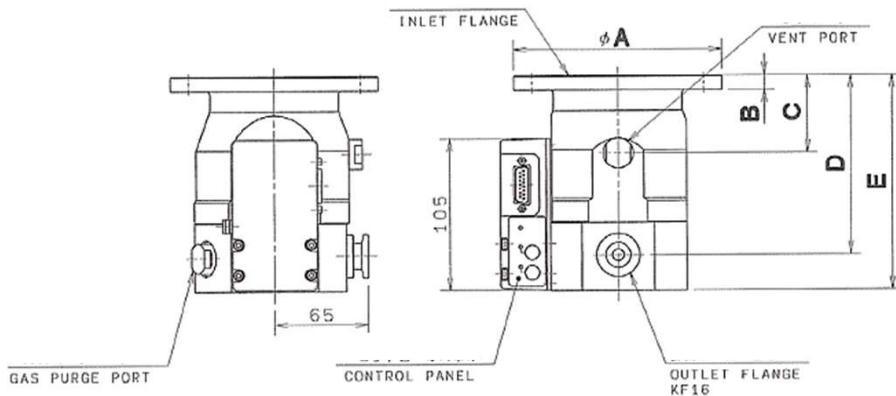
Local controller

A local controller is attached to the pump body to connect power supply for on/off control and RS-485 communications.

<Specification>

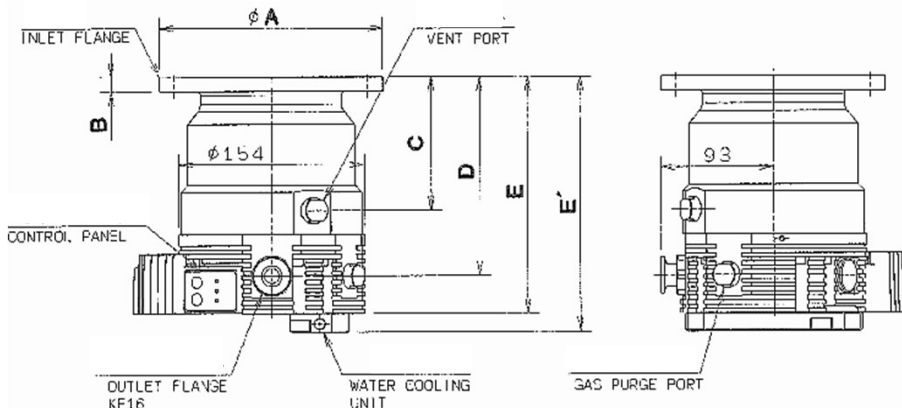
Model	TMP-B70	TMP-B300
Inlet flange	ICF114	ICF152
Pumping speed	N2: 70 L/s, He: 67 L/s	N2: 280 L/s, He: 270 L/s
Compression ratio H2	4×10^5	1×10^5
Critical backing pressure N2	1,400 Pa	1,300 Pa
Vibration(amplitude)	10 nm	10 nm
Noise level	Less than 48 dB(A)	Less than 50 dB(A)
Maintenance cycle (un- road running)	5 years	4 years
Voltage/ Max power	DC24V, 120W	DC24V, 180W

TMP-B70



A	114.3 mm
B	17 mm
C	72 mm
D	142.7 mm
E	167.2 mm

TMP-B300



A	152.4 mm
B	19.5 mm
C	122 mm
D	176 mm
E	222 mm