



Vacuum Pump Price List

Supersedes All Previous Price Lists

2024

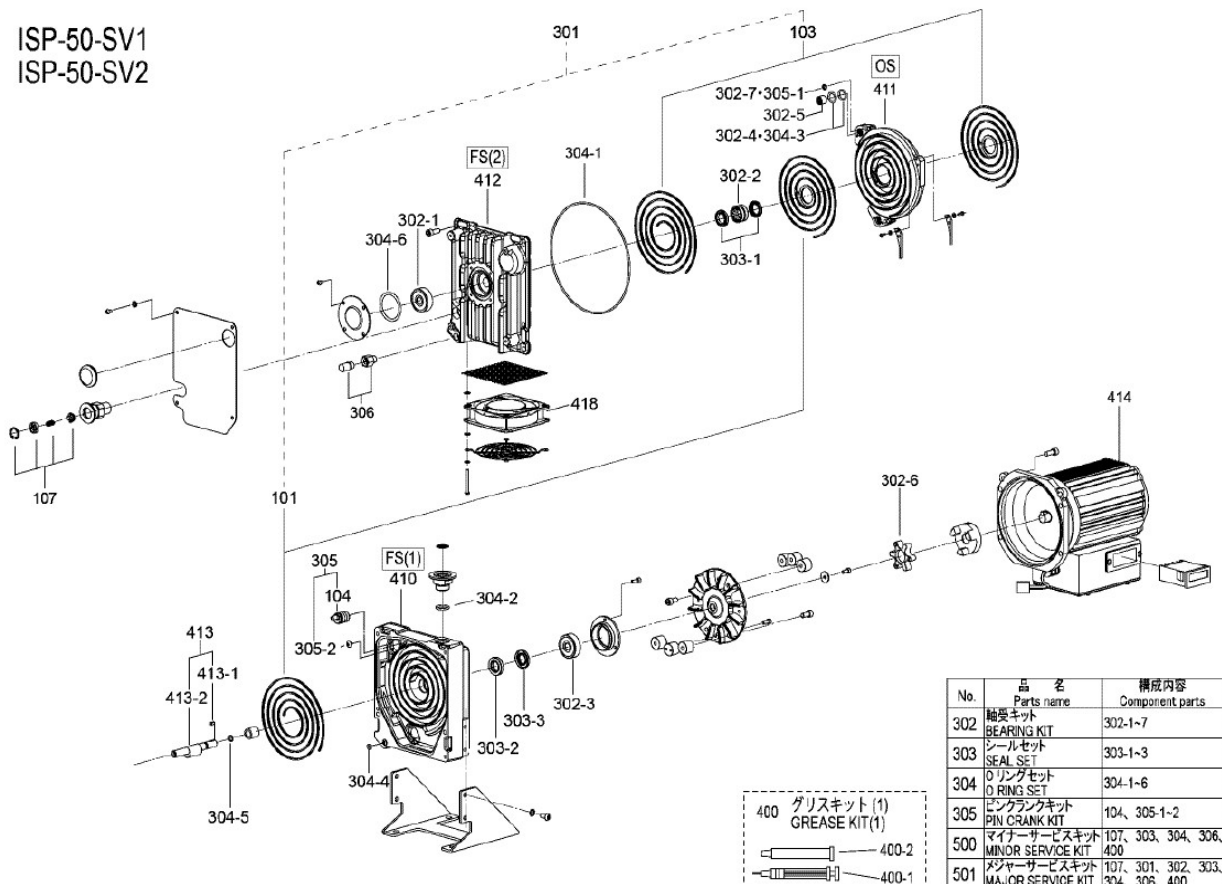
Rev2

| No. | Item No. | Description | List Price | Pumping Speed | Ultimate pressure | Voltage |
|-----|----------------|------------------------|------------|---------------|----------------------|-------------------|
| | | | | CFM | Torr | V |
| 1 | ISP-50-SV1 | 100V | \$ 4,980 | 2.1 | 1.1×10^{-1} | S 100/115 |
| 2 | ISP-50-SV2 | 200V | \$ 4,980 | 2.1 | 1.1×10^{-1} | S 200/230 |
| 3 | ISP-90 | Dry scroll vacuum pump | \$ 5,250 | 3.8 | 3.7×10^{-2} | S 100/115/200/230 |
| 4 | ISP-250C-SV | Dry scroll vacuum pump | \$ 7,420 | 10.6 | 1.2×10^{-2} | S 100/115/200/230 |
| 5 | ISP-250C-TV | Dry scroll vacuum pump | \$ 7,420 | 10.6 | 1.2×10^{-2} | T 200/230/400/460 |
| 6 | ISP-250E-SV | Dry scroll vacuum pump | \$ 7,740 | 10.6 | 1.2×10^{-2} | S 100/115/200/230 |
| 7 | ISP-250E-TV | Dry scroll vacuum pump | \$ 7,740 | 10.6 | 1.2×10^{-2} | T 200/230/400/460 |
| 8 | ISP-500C-SH | Horizontal Inlet | \$ 11,580 | 21.2 | 7.5×10^{-3} | S 100/115/200/230 |
| 9 | ISP-500C-SV | Vertical Inlet | \$ 11,580 | 21.2 | 7.5×10^{-3} | S 100/115/200/230 |
| 10 | ISP-500C-TH | Horizontal Inlet | \$ 11,580 | 21.2 | 7.5×10^{-3} | T 200/230/400/460 |
| 11 | ISP-500C-TV | Vertical Inlet | \$ 11,580 | 21.2 | 7.5×10^{-3} | T 200/230/400/460 |
| 12 | ISP-1000E-TH | Horizontal Inlet | \$ 17,850 | 42.4 | 7.5×10^{-3} | T 200/230/400/460 |
| 13 | ISP-1000E-TV | Vertical Inlet | \$ 17,850 | 42.4 | 7.5×10^{-3} | T 200/230/400/460 |
| 14 | ISP-250E-SV-D1 | With VFD model | \$ 9,300 | 10.6 | 1.2×10^{-2} | S 100/115 |
| 15 | ISP-250E-SV-D2 | With VFD model | \$ 9,300 | 10.6 | 1.2×10^{-2} | S 200/230 |
| 16 | ISP-500C-SV-D1 | With VFD model | \$ 12,580 | 21.2 | 5.3×10^{-3} | S 100/115 |
| 17 | ISP-500C-SV-D2 | With VFD model | \$ 12,580 | 21.2 | 5.3×10^{-3} | S 200/230 |
| 18 | ISP-250E-SV-EX | Explosion proof motor | \$ 10,430 | 10.6 | 1.2×10^{-2} | S 100/115/200/230 |
| 19 | ISP-250E-TV-EX | Explosion proof motor | \$ 10,430 | 10.6 | 1.2×10^{-2} | T 200/230/400/460 |
| 20 | ISP-500C-SV-EX | Explosion proof motor | \$ 14,170 | 21.2 | 7.5×10^{-3} | S 100/115/200/230 |
| 21 | ISP-500C-TV-EX | Explosion proof motor | \$ 14,170 | 21.2 | 7.5×10^{-3} | S 100/115/200/230 |
| 22 | DVSL-100C-B | Dry scroll vacuum pump | \$ 4,760 | 4.3 | 3.8×10^{-1} | S 100/115/200/230 |
| 23 | DVSL-500E | Dry scroll vacuum pump | \$ 6,890 | 18.3 | 2.6×10^{-1} | T 200/230/400/460 |
| 24 | DVSL-501E | Dry scroll vacuum pump | \$ 6,890 | 18.3 | 7.5×10^{-1} | T 200/230/400/460 |
| 25 | DVSL-501E-HC | Dry scroll vacuum pump | \$ 7,480 | 18.3 | 7.5×10^{-1} | T 200/230/400/460 |
| 26 | GVSU-500B | Dry scroll vacuum pump | \$ 6,160 | 18.5 | 3.75 | T 230/460 |
| 27 | GV-165E-F | GVSU-500B module | \$ 3,140 | | | |
| 28 | DVS-501E | DVSL-501E module | \$ 5,820 | | | |
| 29 | DVS-500E | DVSL-500E module | \$ 5,820 | | | |
| 30 | VSD-90 | ISP-90 module | \$ 4,530 | | | |
| 31 | VSD-250E | ISP-250E module | \$ 6,320 | | | |
| 32 | VSD-250C | ISP-250C module | \$ 6,060 | | | |
| 33 | VSD-500C | ISP-500C module | \$ 9,740 | | | |
| 34 | VSD-1000 | ISP-1000E module | \$ 14,890 | | | |

| No. | Item No. | Description | List Price | |
|--|-----------------|--------------------------|------------|---|
| Turbo molecular vacuum pump and option | | | | |
| 35 | TMP-B70 | TMP with controller | \$ 6,900 | 70 l/s DC24V |
| 36 | TMP-B300 | TMP with controller | \$ 12,800 | 280 l/s DC24V |
| 37 | S263-44497-03-S | Power supply | \$ 780 | For TMP-B70, B300 |
| 38 | S263-45859-03-S | I/F cable | \$ 390 | For TMP-B70, B300 |
| 39 | S263-46375-S | Air cooling fan | \$ 370 | For TMP-B70 |
| 40 | S263-45673-01 | Gas purge adapter | \$ 280 | For TMP-B70, B300 |
| 41 | S263-91168 | Venting valve | \$ 1,630 | For TMP-B70, B300 |
| Turbo pumping cart | | | | |
| 42 | VTC-070-SU-S1 | TMP-B70, ISP-90 | \$ 28,120 | including Cold cathode/Pirani combination gauge |
| 43 | VTC-070-SU-S2 | TMP-B70, ISP-250E | \$ 30,390 | including Cold cathode/Pirani combination gauge |
| 44 | VTC-300-SU-S1 | TMP-B300, ISP-250E | \$ 35,950 | including Cold cathode/Pirani combination gauge |
| Accessories | | | | |
| 45 | 550130 | Isolation Valve NW25 | \$ 1,060 | 120V for ISP-50,ISP-90, ISP-250C/E |
| 46 | 550140 | Isolation Valve NW25 | \$ 1,060 | 208V for ISP-50,ISP-90, ISP-250C/E |
| 47 | 550150 | Isolation Valve NW25 | \$ 1,060 | 220V for ISP-50,ISP-90, ISP-250C/E |
| 48 | 550160 | Isolation Valve NW40 | \$ 1,130 | 120V for ISP-500C, ISP-1000E |
| 49 | 550170 | Isolation Valve NW40 | \$ 1,130 | 208V for ISP-500C, ISP-1000E |
| 50 | 550180 | Isolation Valve NW40 | \$ 1,130 | 220V for ISP-500C, ISP-1000E |
| 51 | 610010 | Power cable Single Phase | \$ 170 | 115V AWG14 for ISP-90,ISP-250C,ISP-500C |
| 52 | 610060 | Exhaust silencer NW16 | \$ 260 | For ISP-90, ISP-250C |
| Maintenance | | | | |
| 53 | LM-ISP-50 | Major maintenance | \$ 2,020 | Include kit and labor |
| 54 | SM-ISP-50 | Minor maintenance | \$ 1,200 | Include kit and labor |
| 55 | LM-ISP-90 | Major maintenance | \$ 2,050 | Include kit and labor |
| 56 | SM-ISP-90 | Minor maintenance | \$ 1,350 | Include kit and labor |
| 57 | LM-ISP-250 | Major maintenance | \$ 2,540 | Include kit and labor |
| 58 | SM-ISP-250 | Minor maintenance | \$ 1,780 | Include kit and labor |
| 59 | LM-ISP-250E | Major maintenance | \$ 2,630 | Include kit and labor |
| 60 | LM-ISP-500 | Major maintenance | \$ 2,890 | Include kit and labor |
| 61 | SM-ISP-500 | Minor maintenance | \$ 1,810 | Include kit and labor |
| 62 | LM-ISP-1000 | Major maintenance | \$ 4,720 | Include kit and labor |
| 63 | SM-ISP-1000 | Minor maintenance | \$ 2,990 | Include kit and labor |
| 64 | SM-DV-100 | Minor maintenance | \$ 1,200 | Include kit and labor |
| 65 | SM-DV-500 | Minor maintenance | \$ 1,570 | Include kit and labor |
| 66 | SM-DV-501 | Minor maintenance | \$ 1,570 | Include kit and labor |
| 67 | SM-GV-500 | Minor maintenance | \$ 1,570 | Include kit and labor |

| No. | Item No. | Part Name | List Price | Applicable Model | | | | | | Drawing No. |
|-----|----------|--|------------|------------------|--------|----------|----------|----------|----------|-------------|
| | | | | ISP-50 | ISP-90 | ISP-250B | ISP-250C | ISP-500B | ISP-500C | |
| 1 | 98887240 | Minor Maintenance Kit | \$ 572 | o | | | | | | 500 |
| | | 【contains】 Seal Set Oring Set Exhaust Valve Set Air Flush Kit Grease Kit (1) | | | | | | | | |
| 2 | 98888240 | Major Maintenance Kit | \$ 1,185 | o | | | | | | 501 |
| | | 【contains】 Tip Seal Set Bearing Kit Seal Set Oring Set Exhaust Valve Set Air Flush Kit Grease Kit (1) | | | | | | | | |
| 3 | 98889230 | Crankshaft Set | \$ 580 | o | | | | | | 413 |
| 4 | 98883580 | Pincrank Kit | \$ 596 | o | o | | | | | 305 |
| 5 | 98891230 | Tip Seal Set | \$ 429 | o | | | | | | 301 |
| 6 | 98886240 | Bearing Kit | \$ 236 | o | | | | | | 302 |
| 7 | 98890230 | Seal Set | \$ 227 | o | | | | | | 303 |
| 8 | 98888230 | Oring Set | \$ 114 | o | | | | | | 304 |
| 9 | 98889270 | Exhaust Valve Set | \$ 68 | o | | | | | | 107 |
| 10 | 98881231 | Air Flush Kit | \$ 94 | o | o | o | o | o | o | 306 |
| 11 | 98883101 | Grease Kit (1) | \$ 132 | o | o | o | o | o | o | 400 |
| 12 | 98812852 | FS(1) | \$ 907 | o | | | | | | 410 |
| 13 | 98814851 | OS | \$ 824 | o | | | | | | 411 |
| 14 | 98813852 | FS(2) | \$ 884 | o | | | | | | 412 |
| 15 | 97450063 | Cooling Fan | \$ 238 | o | | | | | | 418 |
| 16 | 98884980 | Motor Single Phase-100V Class | \$ 1,451 | o | | | | | | 414 |
| 17 | 98886100 | Motor Single Phase-200V Class | \$ 1,451 | o | | | | | | 414 |

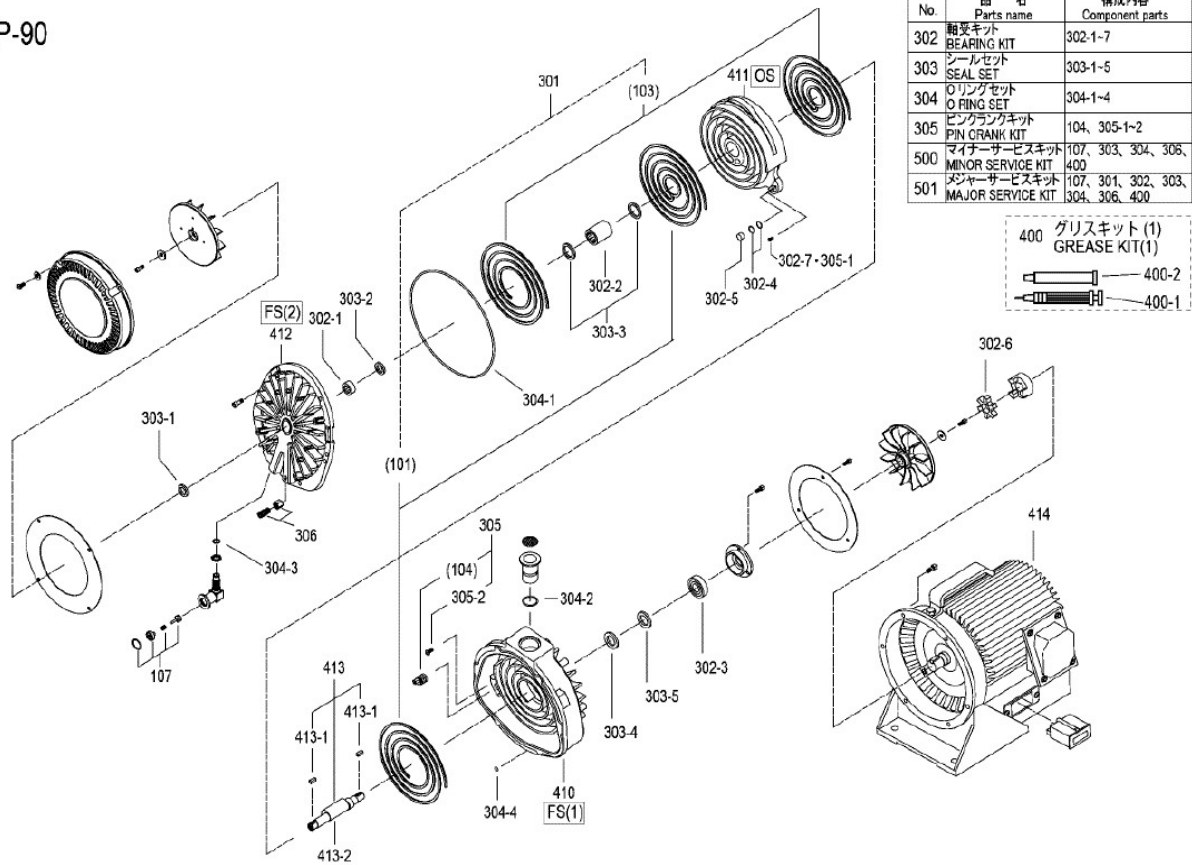
ISP-50-SV1
ISP-50-SV2



| No. | 品名 Parts name | 構成内容 Component parts |
|-----|----------------------------------|-----------------------------------|
| 302 | 軸受キット BEARING KIT | 302-1-7 |
| 303 | シールセット SEAL SET | 303-1-3 |
| 304 | Oリングセット O RING SET | 304-1-6 |
| 305 | ピンクランクキット PIN CRANK KIT | 104, 305-1-2 |
| 500 | マイナーサービスキット MINOR SERVICE KIT | 107, 303, 304, 306, 400 |
| 501 | メジャーサービスキット MAJOR SERVICE KIT | 107, 301, 302, 303, 304, 306, 400 |

| No. | Item No. | Part Name | List Price | Applicable Model | | | | | | Drawing No. | |
|-----|----------|--|------------|------------------|--------|----------|----------|----------|----------|-------------|-----------|
| | | | | ISP-50 | ISP-90 | ISP-250B | ISP-250C | ISP-500B | ISP-500C | | ISP-1000E |
| 1 | 98881590 | Minor Maintenance Kit | \$ 665 | | o | | | | | | 500 |
| | | 【contains】 Seal Set Oring Set Exhaust Valve Set Air Flush Kit Grease Kit (1) | | | | | | | | | |
| 2 | 98882590 | Major Maintenance Kit | \$ 1,364 | | o | | | | | | 501 |
| | | 【contains】 Tip Seal Set Bearing Kit Seal Set Oring Set Exhaust Valve Set Air Flush Kit Grease Kit (1) | | | | | | | | | |
| 3 | 98885580 | Crankshaft Set | \$ 690 | | o | | | | | | 413 |
| 4 | 98883580 | Pincrank Kit | \$ 596 | o | o | | | | | | 305 |
| 5 | 98885570 | Tip Seal Set | \$ 465 | | o | | | | | | 301 |
| 6 | 98880580 | Bearing Kit | \$ 394 | | o | | | | | | 302 |
| 7 | 98881580 | Seal Set | \$ 356 | | o | | | | | | 303 |
| 8 | 98882580 | Oring Set | \$ 150 | | o | | | | | | 304 |
| 9 | 98884291 | Exhaust Valve Set | \$ 97 | o | o | | | | | | 107 |
| 10 | 98881231 | Air Flush Kit | \$ 94 | o | o | o | o | o | o | o | 306 |
| 11 | 98883101 | Grease Kit (1) | \$ 132 | o | o | o | o | o | o | o | 400 |
| 12 | 98810460 | FS(1) | \$ 1,003 | | o | | | | | | 410 |
| 13 | 98806470 | OS | \$ 1,141 | | o | | | | | | 411 |
| 14 | 98811460 | FS(2) | \$ 1,246 | | o | | | | | | 412 |
| 15 | 98885493 | Motor Single Phase-Dual Voltage | \$ 1,654 | | o | | | | | | 414 |

ISP-90

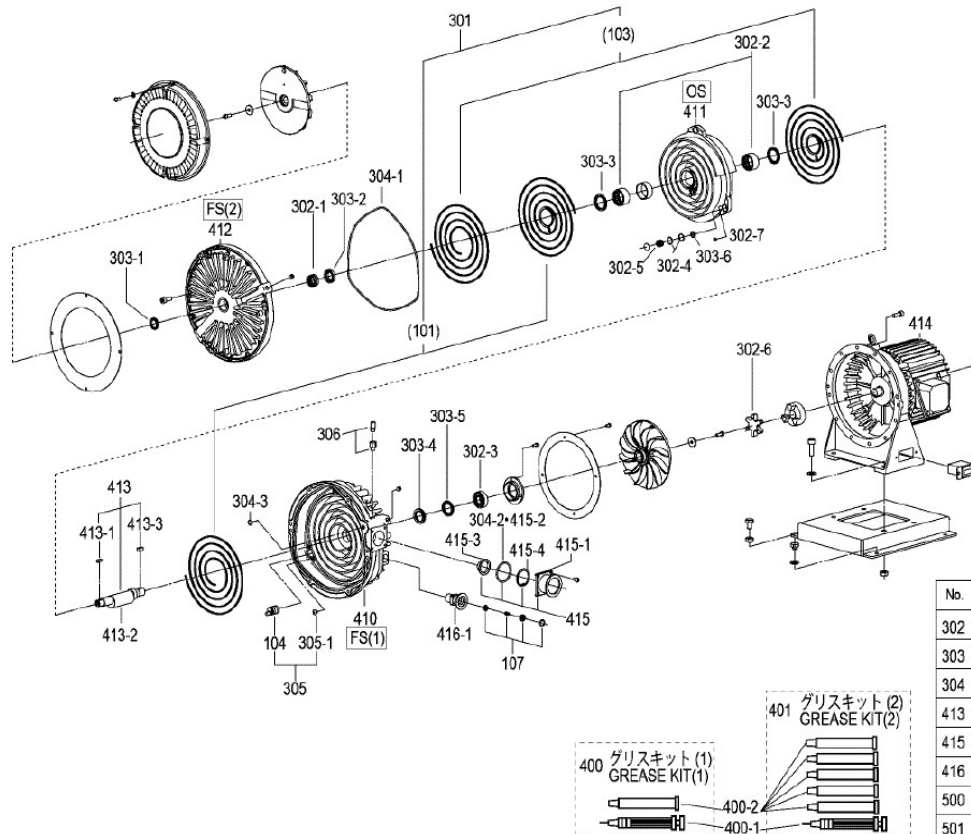


| No. | 品名 Parts name | 構成内容 Component parts |
|-----|-----------------------------------|-------------------------|
| 302 | 軸受キット BEARING KIT | 302-1-7 |
| 303 | シールセット SEAL SET | 303-1-5 |
| 304 | Oリングセット O RING SET | 304-1~4 |
| 305 | ピンクランクキット PIN CRANK KIT | 104, 305-1-2 |
| 306 | マスターサービスキット MASTER SERVICE KIT | 107, 303, 304, 306, 400 |
| 307 | マイナーサービスキット MINOR SERVICE KIT | 107, 301, 302, 303, 400 |
| 308 | メジャーサービスキット MAJOR SERVICE KIT | 304, 306, 400 |



| No. | Part No. | Part Name | List Price | Applicable Model | | | | | | Drawing No. | |
|-----|----------|---|------------|------------------|--------|----------|----------|----------|----------|-------------|-----------|
| | | | | ISP-50 | ISP-90 | ISP-250B | ISP-250C | ISP-250E | ISP-500C | | ISP-1000E |
| 1 | 98884251 | Minor Maintenance Kit (C) [contains] Seal Set Oring Set Exhaust Valve Set Air Flush Kit Grease Kit (1) | \$ 807 | | | o | o | | | | 500 |
| 2 | 98883251 | Major Maintenance Kit (C) [contains] Tip Seal Set Bearing Kit Seal Set Oring Set Exhaust Valve Set Air Flush Kit Grease Kit (1) | \$ 1,563 | | | o | o | | | | 501 |
| 3 | 98819940 | Major Maintenance Kit (E) [contains] Tip Seal Set Bearing Kit Seal Set Oring Set Exhaust Valve Set Air Flush Kit Grease Kit (1) | \$ 1,648 | | | | | o | | | 501 |
| 4 | 98882260 | Crankshaft Set | \$ 720 | | | o | o | | | | 413 |
| 5 | 98819890 | Crankshaft Set (E) | \$ 762 | | | | | o | | | 413 |
| 6 | 98820740 | Inner ring set | \$ 418 | | | | | o | | | 419 |
| 7 | 98883132 | Pincrank Kit | \$ 715 | | | o | o | | | | 305 |
| 8 | 98820680 | Pincrank Kit (E) | \$ 760 | | | | | o | | | 305 |
| 9 | 98882270 | Tip Seal Set | \$ 660 | | | o | o | o | | | 301 |
| 10 | 98883260 | Bearing Kit | \$ 484 | | | o | o | | | | 302 |
| 11 | 98820650 | Bearing Kit (E) | \$ 501 | | | | | o | | | 302 |
| 12 | 98885260 | Seal Set | \$ 356 | | | o | o | | | | 303 |
| 13 | 98819910 | Seal Set (E) | \$ 375 | | | | | o | | | 303 |
| 14 | 98883271 | Oring Set | \$ 156 | | | o | o | | | | 304 |
| 15 | 98819860 | Oring Set (E) | \$ 156 | | | | | o | | | 304 |
| 16 | 98884291 | Exhaust Valve Set | \$ 97 | | | o | o | o | | | 107 |
| 17 | 98881231 | Air Flush Kit | \$ 94 | o | o | o | o | o | o | o | 306 |
| 18 | 98883101 | Grease Kit (1) | \$ 132 | o | o | o | o | o | o | o | 400 |
| 19 | 98801271 | FS(1) - B Type (DISCONTINUED) | \$ 969 | | | o | | | | | 410 |
| 20 | 98806951 | FS(1) - C Type | \$ 1,169 | | | | o | | | | 410 |
| 21 | 98818970 | FS(1) - E Type | \$ 1,173 | | | | | o | | | 410 |
| 22 | 98803272 | OS - B Type (DISCONTINUED) | \$ 1,072 | | | o | | | | | 411 |
| 23 | 98808951 | OS - C Type | \$ 1,289 | | | | o | | | | 411 |
| 24 | 98818990 | OS - E Type | \$ 1,297 | | | | | o | | | 411 |
| 25 | 98802271 | FS(2) - B Type (DISCONTINUED) | \$ 927 | | | o | | | | | 412 |
| 26 | 98807951 | FS(2) C Type | \$ 1,120 | | | | o | | | | 412 |
| 27 | 98818980 | FS(2) E Type | \$ 1,119 | | | | | o | | | 412 |
| 28 | 98883074 | Motor Single Phase-Dual Voltage | \$ 2,978 | | | o | o | | | | 414 |
| 29 | 98885171 | Motor Three Phase-Dual Voltage | \$ 2,980 | | | o | o | | | | 414 |
| 30 | 98880270 | Inlet Flange Kit | \$ 224 | | | o | o | | | | 415 |
| 31 | 98820730 | Inlet Flange Kit (E) | \$ 233 | | | o | o | | | | 415 |

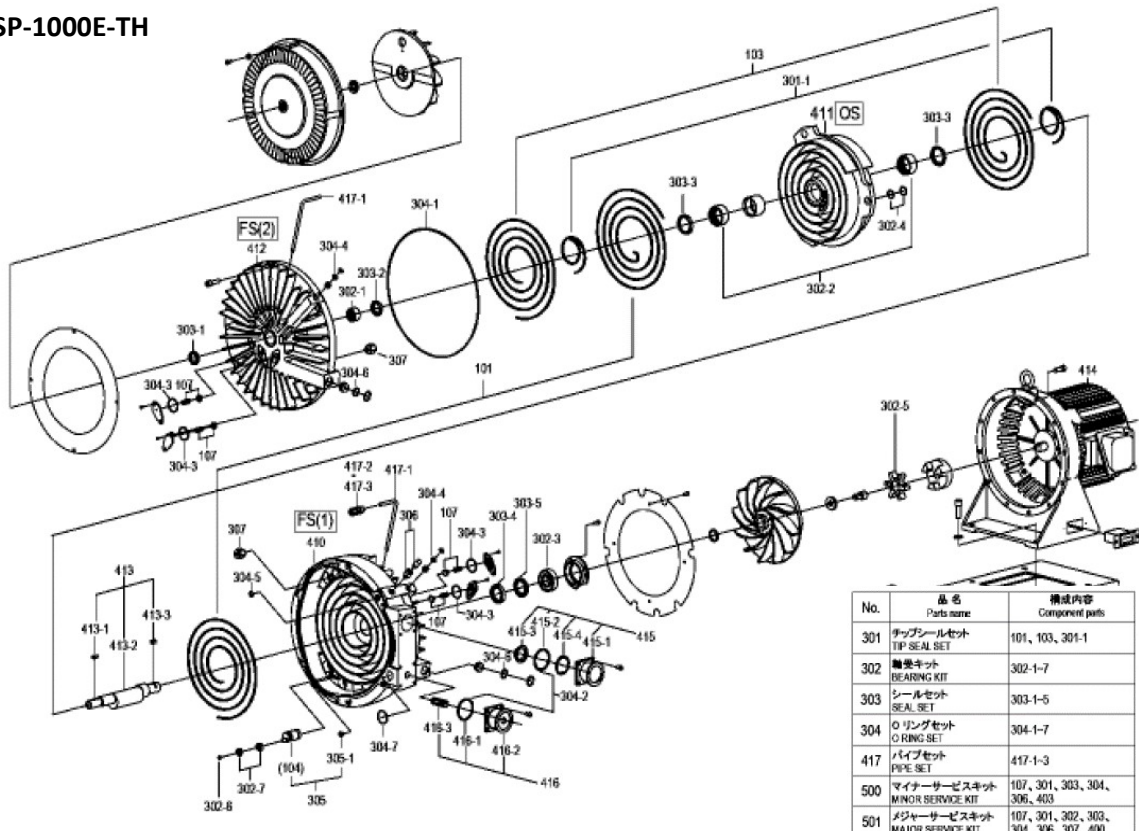
| No. | Item No. | Part Name | List Price | Applicable Model | | | | | | Drawing No. | |
|-----|----------|--|------------|------------------|--------|----------|----------|----------|----------|-------------|-----------|
| | | | | ISP-50 | ISP-90 | ISP-250B | ISP-250C | ISP-500B | ISP-500C | | ISP-1000E |
| 1 | 98881251 | Minor Maintenance Kit | \$ 831 | | | | | o | o | | 500 |
| | | 【contains】 Seal Set Oring Set Exhaust Valve Set Air Flush Kit Grease Kit (1) | | | | | | | | | |
| 2 | 98882251 | Major Maintenance Kit | \$ 1,798 | | | | | o | o | | 501 |
| | | 【contains】 Tip Seal Set Bearing Kit Seal Set Oring Set Exhaust Valve Set Air Flush Kit Grease Kit (1) | | | | | | | | | |
| 3 | 98883230 | Crankshaft Set | \$ 868 | | | | | o | o | | 413 |
| 4 | 98885231 | Pincrank Kit | \$ 834 | | | | | o | o | | 305 |
| 5 | 98883240 | Tip Seal Set | \$ 689 | | | | | o | o | | 301 |
| 6 | 98884230 | Bearing Kit | \$ 530 | | | | | o | o | | 302 |
| 7 | 98880240 | Seal Set | \$ 361 | | | | | o | o | | 303 |
| 8 | 98884241 | Oring Set | \$ 157 | | | | | o | o | | 304 |
| 9 | 98882231 | Exhaust Valve Set | \$ 107 | | | | | o | o | | 107 |
| 10 | 98881231 | Air Flush Kit | \$ 94 | o | o | o | o | o | o | o | 306 |
| 11 | 98883101 | Grease Kit (1) | \$ 132 | o | o | o | o | o | o | o | 400 |
| 12 | 98805760 | FS(1) - B Type (DISCONTINUED) | \$ 1,260 | | | | | o | | | 410 |
| 13 | 98809941 | FS(1) - C Type | \$ 1,469 | | | | | | o | | 410 |
| 14 | 98801771 | OS | \$ 1,593 | | | | | | o | | 411 |
| 15 | 98800770 | FS(2) - B Type (DISCONTINUED) | \$ 914 | | | | | | | | 412 |
| 16 | 98810941 | FS(2) - C Type | \$ 1,212 | | | | | | o | | 412 |
| 17 | 98880043 | Motor Single Phase-Dual Voltage | \$ 3,351 | | | | | o | | | 414 |
| 18 | 98885003 | Motor Three Phase-Dual Voltage | \$ 3,118 | | | | | o | o | | 414 |
| 19 | 98881240 | Inlet Flange Kit | \$ 130 | | | | | o | o | | 415 |
| 20 | 98882241 | Exhaust flange kit | \$ 121 | | | | | o | o | | 416 |



ISP-500C-TH
 ISP-500C-TV
 ISP-500C-SH
 ISP-500C-SV

| No. | 品名 Parts name | 構成内容 Component parts |
|-----|----------------------------------|-----------------------------------|
| 302 | 軸受キット BEARING KIT | 302-1-7 |
| 303 | シールセット SEAL SET | 303-1-6 |
| 304 | Oリングセット O RING SET | 304-1-3 |
| 413 | クランク軸キット CRANK SHAFT KIT | 413-1-3 |
| 415 | 吸込口キット INLET KIT | 415-1-4 |
| 416 | 吐出口キット OUTLET KIT | 416-1, 107 |
| 500 | マイナーサービスキット MINOR SERVICE KIT | 107, 303, 304, 306, 400 |
| 501 | メジャーサービスキット MAJOR SERVICE KIT | 107, 301, 302, 303, 304, 306, 400 |

| No. | Item No. | Part Name | List Price | Applicable Model | | | | | | Drawing No. | |
|-----|----------|---|------------|------------------|--------|----------|----------|----------|----------|-------------|-----------|
| | | | | ISP-50 | ISP-90 | ISP-250B | ISP-250C | ISP-500B | ISP-500C | | ISP-1000E |
| 1 | 98881830 | Minor Maintenance Kit | \$ 1,695 | | | | | | | o | 500 |
| | | 【contains】 Tip Seal Set Seal Set Oring Set Exhaust Valve Set Air Flush Kit Grease Kit (3) | | | | | | | | | |
| 2 | 98882830 | Major Maintenance Kit | \$ 3,222 | | | | | | | o | 501 |
| | | 【contains】 Tip Seal Set Bearing Kit Seal Set Oring Set Exhaust Valve Set Air Flush Kit Stopper Set (6 pcs) Grease Kit (1) | | | | | | | | | |
| 3 | 98885820 | Crankshaft Set | \$ 911 | | | | | | | o | 413 |
| 4 | 98884810 | Pincrank Kit | \$ 828 | | | | | | | o | 305 |
| 5 | 98884800 | Tip Seal Set | \$ 845 | | | | | | | o | 301 |
| 6 | 98881810 | Bearing Kit | \$ 604 | | | | | | | o | 302 |
| 7 | 98882810 | Seal Set | \$ 359 | | | | | | | o | 303 |
| 8 | 98883810 | Oring Set | \$ 184 | | | | | | | o | 304 |
| 9 | 98881800 | Exhaust Valve Set | \$ 130 | | | | | | | o | 107 |
| 10 | 98881231 | Air Flush Kit | \$ 91 | o | o | o | o | o | o | o | 306 |
| 11 | 98883101 | Grease Kit (1) 13g tube | \$ 128 | o | o | o | o | o | o | o | 400 |
| 12 | 98882800 | Grease Kit (3) 13g tube x 3pcs | \$ 388 | | | | | | | o | 403 |
| 13 | 98809630 | FS(1) | \$ 2,393 | | | | | | | o | 410 |
| 14 | 98806640 | OS | \$ 2,610 | | | | | | | o | 411 |
| 15 | 98810630 | FS(2) | \$ 2,393 | | | | | | | o | 412 |
| 16 | 98886270 | Stopper Set (6 pcs/set) | \$ 1,362 | | | | | | | o | 307 |

ISP-1000E-TV
ISP-1000E-TH


| No. | 品名 Parts name | 構成内容 Component parts |
|-----|----------------------------------|--|
| 301 | チップシールセット TIP SEAL SET | 101, 103, 301-1 |
| 302 | 軸受キット BEARING KIT | 302-1-7 |
| 303 | シールセット SEAL SET | 303-1-5 |
| 304 | Oリングセット O RING SET | 304-1-7 |
| 417 | パイプセット PIPE SET | 417-1-3 |
| 500 | マイナーサービスキット MINOR SERVICE KIT | 107, 301, 303, 304, 306, 403 |
| 501 | メジャーサービスキット MAJOR SERVICE KIT | 107, 301, 302, 303, 304, 306, 307, 400 |

| No. | Part No. | Part Name | List Price | Applicable Model | | | | | |
|-----|----------|--|------------|------------------|-----------|-------------|-------------|--------------|-----------|
| | | | | DVSL-500B | DVSL-501B | DVSL-500C/E | DVSL-501C/E | DVSL-100C/-B | GVSU-500B |
| 1 | 98881940 | DVSL-500C Seal Set (1) | \$ 617 | x | x | o | x | x | o |
| | | 【contains】 Tip Seal Set P-Seal Set (1) O-ring for Inlet Flange Coupling Spider | | | | | | | |
| 2 | 98882930 | DVSL-501C Seal Set (2) | \$ 782 | x | x | x | o | x | x |
| | | 【contains】 Tip Seal Set P-Seal Set (2) O-ring for Inlet Flange Coupling Spider | | | | | | | |
| 3 | 98890150 | DVSL-100C Seal Kit (1) | \$ 617 | x | x | x | x | o | x |
| | | 【contains】 Tip Seal Set P-Seal Set Coupling Spider O-ring for OS plate fixing bolt O-ring for Housing Flange | | | | | | | |
| 4 | 98881231 | Air Flush Kit | \$ 94 | o | o | o | o | o | o |
| 5 | 98882230 | Exhaust Valve Set | \$ 107 | o | o | o | o | o | x |
| 6 | 97450062 | Cooling Fan | \$ 322 | x | x | o | o | x | x |
| 7 | 97302000 | Grease Gun | \$ 124 | o | o | o | o | o | o |
| 8 | 92583130 | Grease Gun Nozzle (3) | \$ 51 | o | o | o | o | o | o |
| 9 | 92610021 | Cartridge Grease OCX-743 | \$ 272 | o | o | o | o | o | o |

| No. | Item No. | Part Name | List Price | Applicable Model | | | | | | |
|-----|----------|--|------------|------------------|--------|------------|----------|----------|----------|-----------|
| | | | | ISP-50 | ISP-90 | ISP-250B/C | ISP-250E | ISP-500B | ISP-500C | ISP-1000E |
| 1 | OCX-867 | Maintenance Tool Kit for ISP-50,90 | \$ 4,070 | ○ | ○ | | | | | |
| 2 | OCX-793B | Maintenance Tool Kit for ISP-250,500 | \$ 4,400 | | | ○ | | ○ | ○ | |
| 3 | OCX-158 | Conversion kit ISP-250E used with OCX-793B | \$ 930 | | | | △ | | | |
| 4 | OCX-128 | Maintenance Tool Kit for ISP-250E | \$ 4,040 | | | | ○ | | | |
| 5 | OCX-22 | Maintenance Tool Kit for ISP-1000 | \$ 4,510 | | | | | | | ○ |

ANEST IWATA Americas, Inc. Standard Warranty

ANEST IWATA Americas warrants all equipment manufactured by and bearing ANEST IWATA name to be free from defects in material and workmanship on the date of sale by an authorized ANEST IWATA Americas distributor to the original purchaser for use. With the exception of any special, extended, or limited warranty published by ANEST IWATA Americas, ANEST IWATA Americas will, for a period of twelve (12) months from the date of sale, repair or replace any part of the equipment determined by ANEST IWATA USA to be defective. This warranty applies only when the equipment is installed, operated and maintained in accordance with ANEST IWATA's written recommendations.

This warranty is conditioned upon the prepaid return of the equipment claimed to be defective for examination by ANEST IWATA Americas to verify the claimed defect. If the claimed defect is verified, ANEST IWATA Americas will repair or replace free of charge any defective parts. The equipment will be returned to the original purchaser transportation prepaid. If inspection of the equipment does not disclose any defect in material or workmanship, repairs will be made at a reasonable charge, which charges may include the costs of parts, labor, and transportation.

ANEST IWATA Vacuum Pump parts warranty is three (3) months for both major and minor maintenance service parts.

ANEST IWATA Americas, INC. makes no warranty, and disclaims all implied warranties of merchantability and fitness for a particular purpose in connection with accessories, equipment, materials or components sold but not manufactured by ANEST IWATA. These items sold, but not manufactured by ANEST IWATA (such as electric motors, switches, hose, etc.), are subject to the warranty, if any, of their manufacturer. ANEST IWATA Americas will provide purchaser with reasonable assistance in making any claim for breach of these warranties.

In no event will ANEST IWATA Americas be liable for indirect, incidental, special or consequential damages resulting from ANEST IWATA Americas supplying equipment hereunder, or the furnishing, performance, or use of any products or other goods sold hereto, whether due to a breach of contract, breach of warranty, the negligence of ANEST IWATA Americas, or otherwise.

*****CONTACT YOUR SALES REPRESENTATIVE FOR FREIGHT POLICIES*****



ANEST IWATA Americas, Inc.
9525 Glades Drive
West Chester, OH 45069
Toll Free: 1-800-440-0282
Tel: (513) 755-5130
Fax: (513) 755-1889
Email: vacuuminquiry@anestiwata.com

Models and specifications subject to change without notice.

© Copyright 2015, ANEST IWATA Americas, Inc.
01/2024