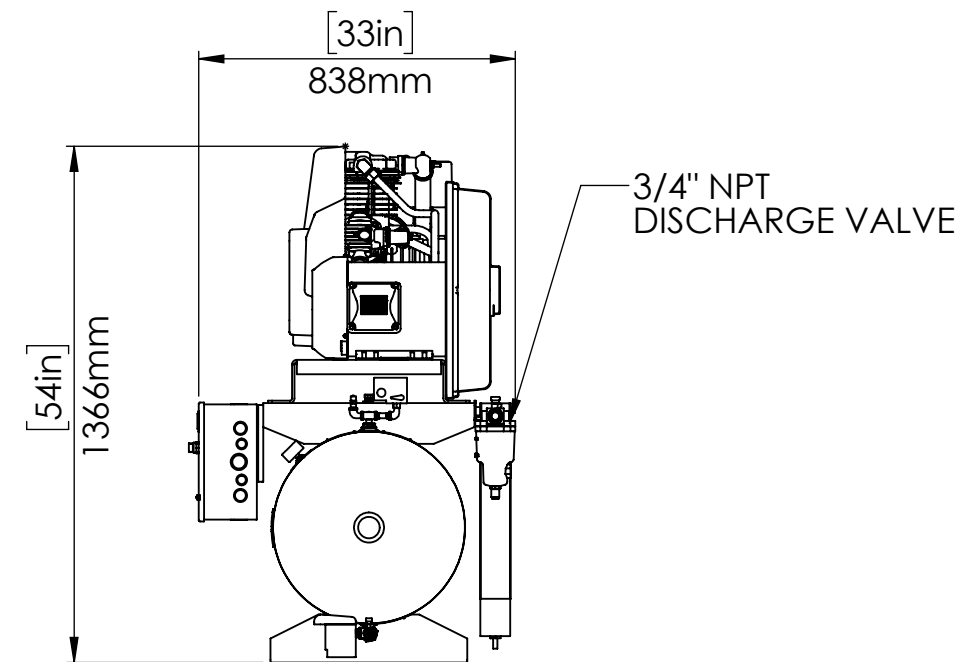
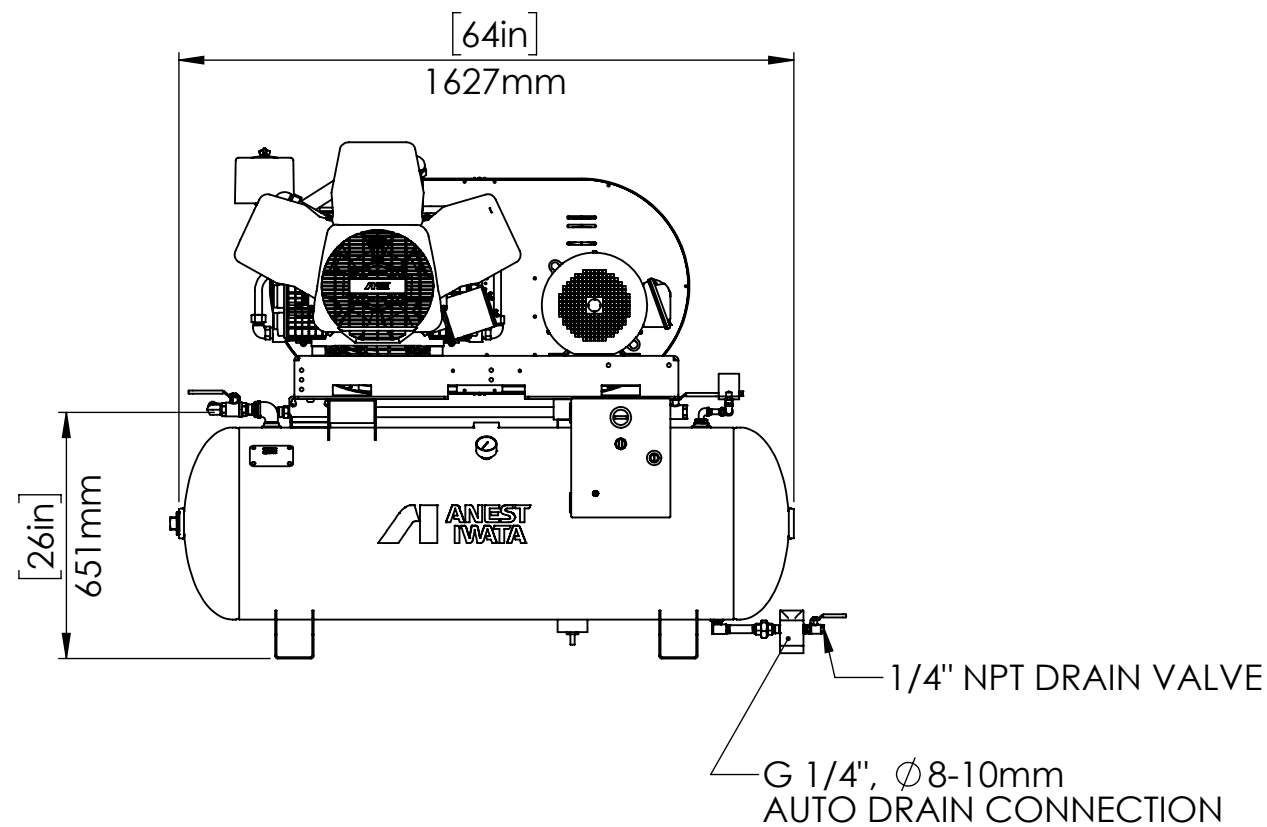


	OFT-7.5(H)-FM-80
HORSEPOWER	7.5
OPERATING PRESSURE (PSI)	90-120
AIR DELIVERY (CFM)	21.2
CONTROL SYSTEM	MULTIPLE UNIT CONTROL AUTO/START STOP
NOISE LEVEL (dB A)	70
AIR OUTLET (BALL VALVE)	3/4" NPT
OPERATING VOLTAGE	3 PHASE, 208-230/460V, 60Hz
DIMENSIONS (L x W x H)	63" x 33" x 54"
APPROX. WT. (LBS.)	660

NOTE: HIGH PRESSURE SPECS AVAILABLE UPON REQUEST



NOTES:

- 1) COMPRESSOR UNIT MUST BE INSTALLED IN A ROOM ON A FLAT FLOOR
- 2) COMPRESSOR IS AN AIR COOLED UNIT - ROOM TEMPERATURE MUST NOT EXCEED 104° F
EXHAUST DUCTS OR VENTILATING FAN MUST BE INSTALLED IF ROOM TEMPERATURE EXCEEDS 104° F
- 3) PROVIDE ADEQUATE SPACE DURING INSTALLATION FOR NECESSARY MAINTENANCE AND REPAIRS
ALLOW A MINIMUM OF 20" ON EACH SIDE AND 24" FROM TOP OF UNIT FROM WALLS
- 4) CARE MUST BE TAKEN TO INSURE COMPRESSOR UNIT DOES NOT INTAKE HOT AIR OR DUST
- 5) REFER TO INSTRUCTION MANUAL FOR ELECTRIC WIRING DIAGRAM
- 6) SPEC IS SUBJECT TO CHANGE WITHOUT NOTICE

PROPRIETARY AND CONFIDENTIAL
THE INFORMATION CONTAINED IN THIS DRAWING IS THE SOLE PROPERTY OF **ANEST IWATA**. ANY REPRODUCTION IN PART OR AS A WHOLE WITHOUT THE WRITTEN PERMISSION OF **ANEST IWATA** IS PROHIBITED.

MATERIAL ASS'Y
PART NO.
DO NOT SCALE DRAWING

	NAME	DATE	ANEST IWATA Air Engineering Inc.
DRAWN	SDR	4/20/20	
CHECKED	AMM	4/22/20	
ENG APPR.			
MFG APPR.			
Q.A.			TITLE: OFT-7.5(H)-FM-80 OIL-FREE PISTON UNIT TANK MOUNT COMPRESSOR FILTER MEMBRANE DRYER
COMMENTS:			
SIZE B	DWG. NO. OFT-7.5(H)-FM-80-R1	REV 1	
SCALE: 1:20		WEIGHT:	SHEET 1 OF 1