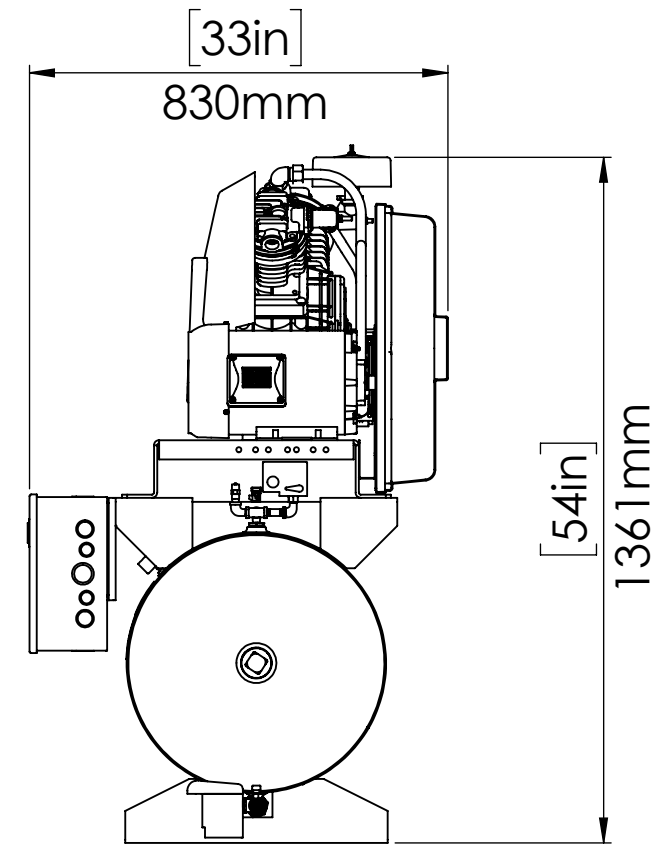
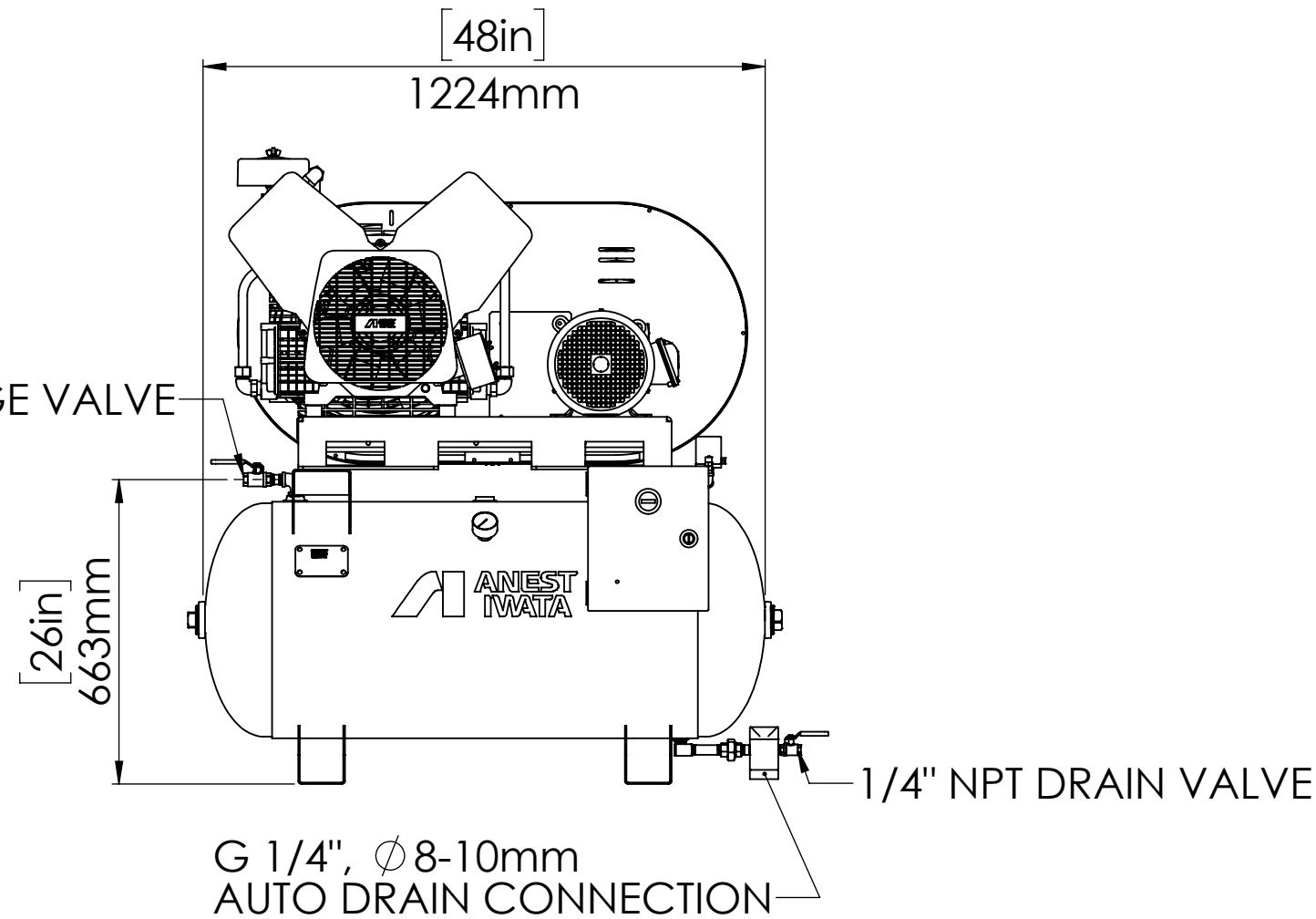


	OFT-5(H)-60
HORSEPOWER	5
OPERATING PRESSURE (PSI)	90-120
AIR DELIVERY (CFM)	15
CONTROL SYSTEM	MULTIPLE UNIT CONTROL AUTO/START STOP
NOISE LEVEL (dB A)	73
AIR OUTLET (BALL VALVE)	1/2" NPT
OPERATING VOLTAGE	3 PHASE, 208-230/460V, 60Hz
DIMENSIONS (L x W x H)	48" x 33" x 54"
APPROX. WT. (LBS.)	460

NOTE: HIGH PRESSURE SPECS AVAILABLE UPON REQUEST



- NOTES:
- 1) COMPRESSOR UNIT MUST BE INSTALLED IN A ROOM ON A FLAT FLOOR
 - 2) COMPRESSOR IS AN AIR COOLED UNIT - ROOM TEMPERATURE MUST NOT EXCEED 104° F
EXHAUST DUCTS OR VENTILATING FAN MUST BE INSTALLED IF ROOM TEMPERATURE EXCEEDS 104° F
 - 3) PROVIDE ADEQUATE SPACE DURING INSTALLATION FOR NECESSARY MAINTENANCE AND REPAIRS
ALLOW A MINIMUM OF 20" ON EACH SIDE AND 24" FROM TOP OF UNIT FROM WALLS
 - 4) CARE MUST BE TAKEN TO INSURE COMPRESSOR UNIT DOES NOT INTAKE HOT AIR OR DUST
 - 5) REFER TO INSTRUCTION MANUAL FOR ELECTRIC WIRING DIAGRAM
 - 6) SPEC IS SUBJECT TO CHANGE WITHOUT NOTICE

PROPRIETARY AND CONFIDENTIAL
THE INFORMATION CONTAINED IN THIS DRAWING IS THE SOLE PROPERTY OF **ANEST IWATA**. ANY REPRODUCTION IN PART OR AS A WHOLE WITHOUT THE WRITTEN PERMISSION OF **ANEST IWATA** IS PROHIBITED.

UNLESS OTHERWISE SPECIFIED:		NAME	DATE	ANEST IWATA Air Engineering Inc.
DIMENSIONS ARE IN INCHES AND MILLIMETERS	DRAWN	AMM	4/27/20	
	CHECKED	AGH	4/28/20	
	ENG APPR.			
		MFG APPR.		TITLE: OFT-5-60 OIL-FREE PISTON UNIT TANK MOUNT COMPRESSOR
		Q.A.		
INTERPRET GEOMETRIC TOLERANCING PER:	COMMENTS:			SIZE DWG. NO. REV B OFT-5(H)-60-R2 2
MATERIAL ASS'Y				
PART NO.				SCALE: 1:15 WEIGHT: SHEET 1 OF 1
DO NOT SCALE DRAWING				