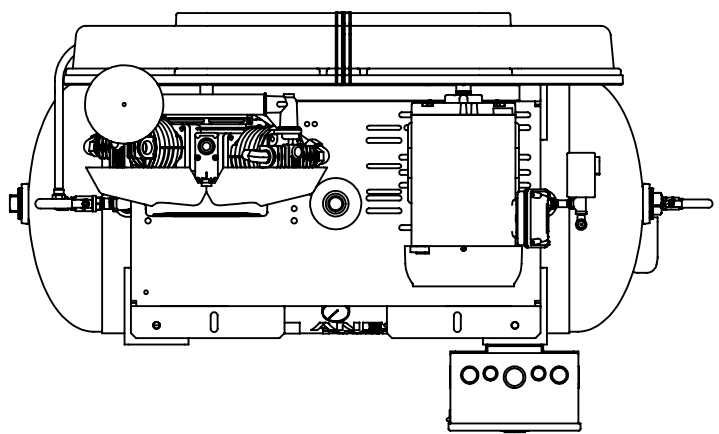
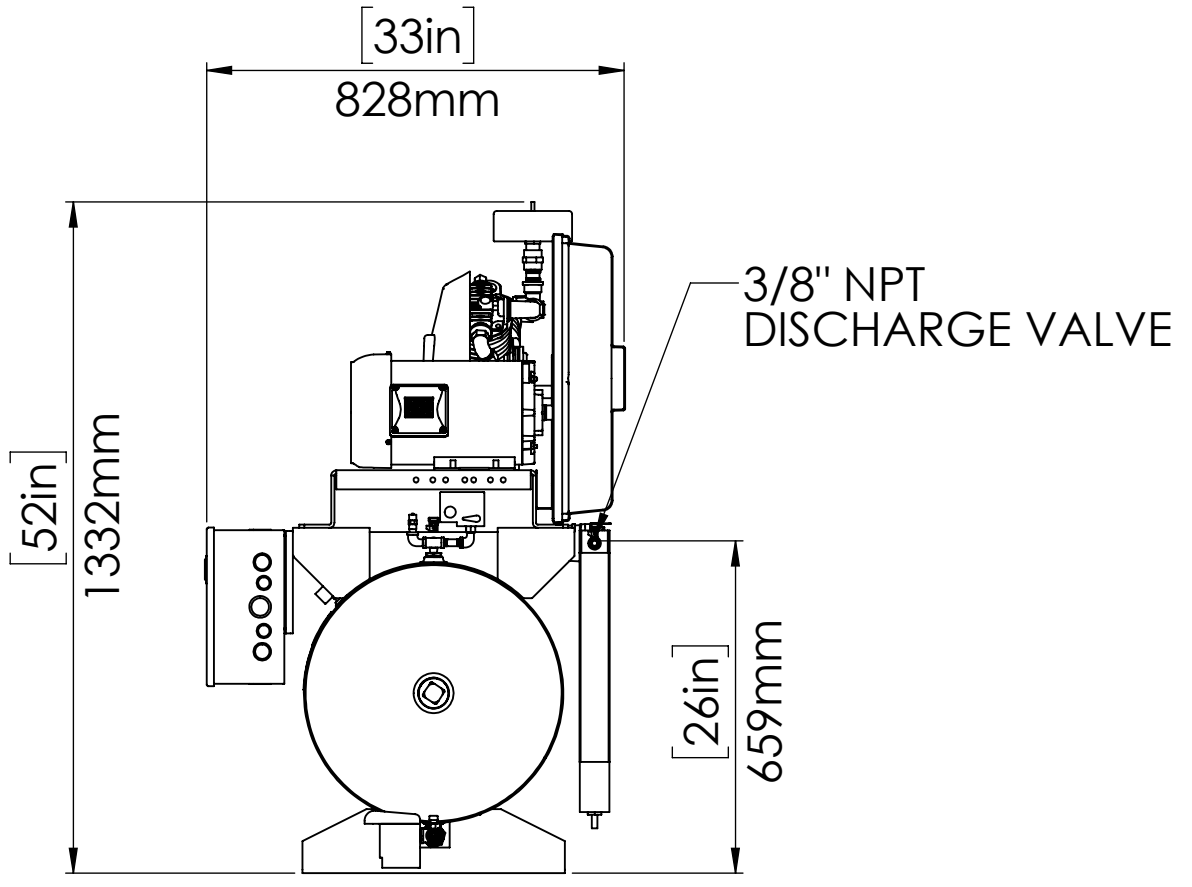
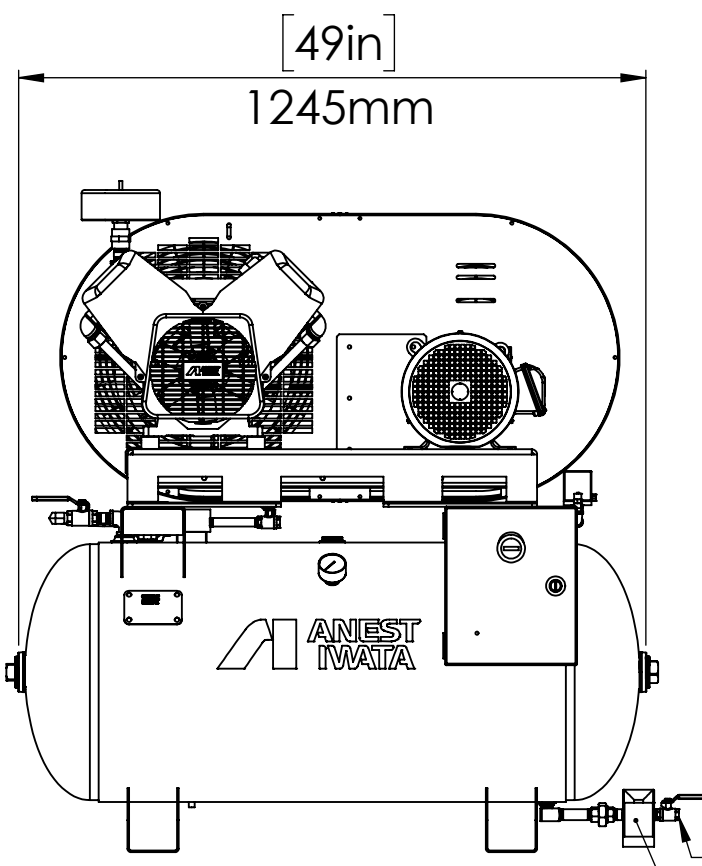


8 7 6 5 4 3 2 1



	OFT-3(H)-FM-60
HORSEPOWER	3
OPERATING PRESSURE (PSI)	90-120
AIR DELIVERY (CFM)	8.7
CONTROL SYSTEM	MULTIPLE UNIT CONTROL AUTO/START STOP
NOISE LEVEL (dB A)	72
AIR OUTLET (BALL VALVE)	3/8" NPT
OPERATING VOLTAGE	3 PHASE, 208-230/460V, 60Hz
DIMENSIONS (L x W x H)	48" x 33" x 52"
APPROX. WT. (LBS.)	375

NOTE: HIGH PRESSURE SPECS AVAILABLE UPON REQUEST




G 1/4", ϕ 8-10mm
AUTO DRAIN CONNECTION

1/4" NPT DRAIN VALVE

- NOTES:**
- 1) COMPRESSOR UNIT MUST BE INSTALLED IN A ROOM ON A FLAT FLOOR
 - 2) COMPRESSOR IS AN AIR COOLED UNIT - ROOM TEMPERATURE MUST NOT EXCEED 104° F
EXHAUST DUCTS OR VENTILATING FAN MUST BE INSTALLED IF ROOM TEMPERATURE EXCEEDS 104° F
 - 3) PROVIDE ADEQUATE SPACE DURING INSTALLATION FOR NECESSARY MAINTENANCE AND REPAIRS
ALLOW A MINIMUM OF 20" ON EACH SIDE AND 24" FROM TOP OF UNIT FROM WALLS
 - 4) CARE MUST BE TAKEN TO INSURE COMPRESSOR UNIT DOES NOT INTAKE HOT AIR OR DUST
 - 5) REFER TO INSTRUCTION MANUAL FOR ELECTRIC WIRING DIAGRAM
 - 6) SPEC IS SUBJECT TO CHANGE WITHOUT NOTICE

PROPRIETARY AND CONFIDENTIAL
THE INFORMATION CONTAINED IN THIS DRAWING IS THE SOLE PROPERTY OF **ANEST IWATA**. ANY REPRODUCTION IN PART OR AS A WHOLE WITHOUT THE WRITTEN PERMISSION OF **ANEST IWATA** IS PROHIBITED.

UNLESS OTHERWISE SPECIFIED:		NAME	DATE	ANEST IWATA Air Engineering Inc. 	
DIMENSIONS ARE SHOWN IN INCHES AND MILLIMETERS		DRAWN	SDR 4/20/20		
		CHECKED	AGH 4/28/20		
		ENG APPR.			
		MFG APPR.			
		Q.A.		TITLE: OFT-3(H)-FM-60 OIL-FREE PISTON UNIT TANK MOUNT COMPRESSOR FILTER MEMBRANE DRYER	
MATERIAL ASS'Y		COMMENTS:			SIZE B DWG. NO. OFT-3(H)-FM-60-R1 REV 1
PART NO.					SCALE: 1:15 WEIGHT: SHEET 1 OF 1
DO NOT SCALE DRAWING					

8 7 6 5 4 3 2 1