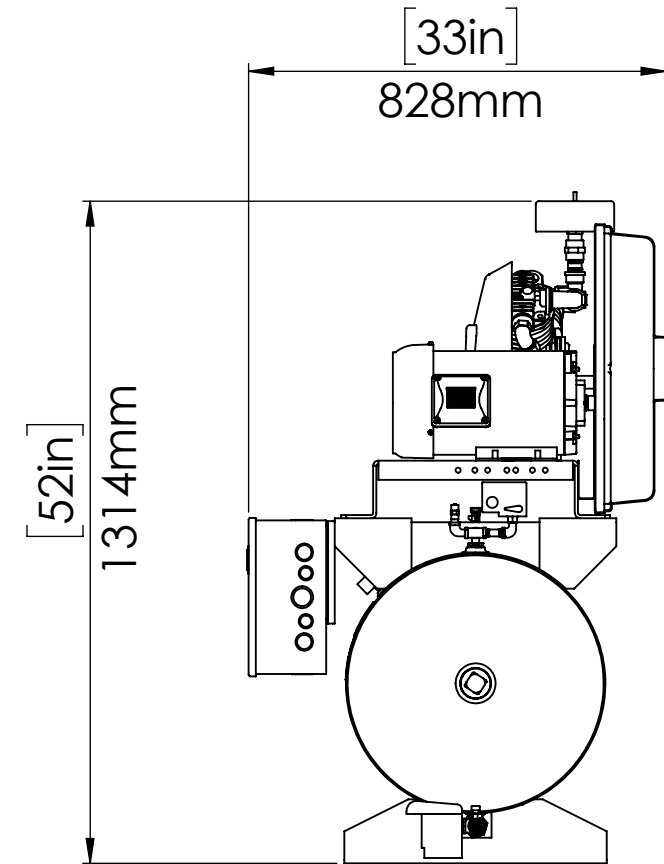
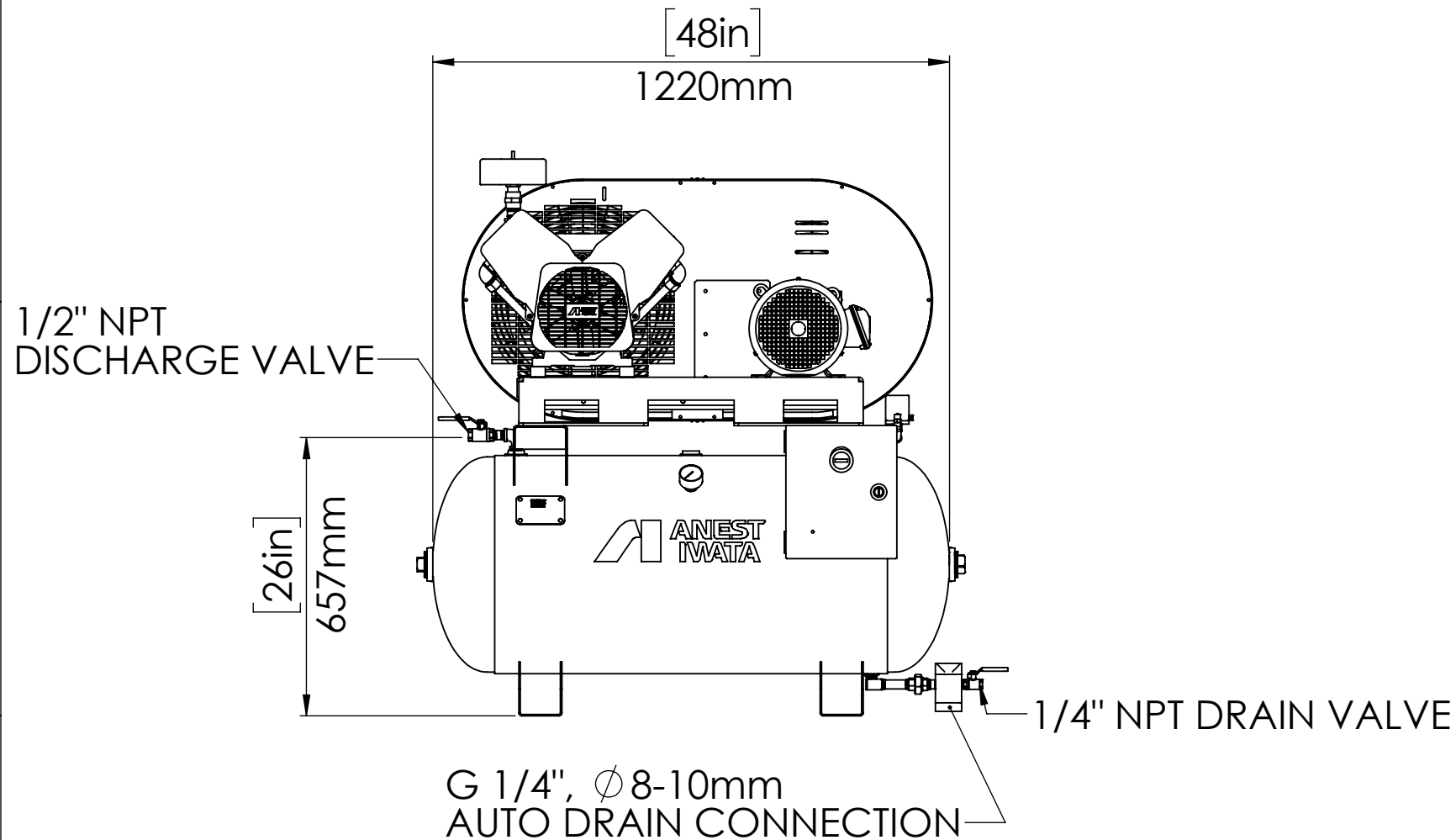


	OFT-3(H)-60
HORSEPOWER	3
OPERATING PRESSURE (PSI)	90-120
AIR DELIVERY (CFM)	9.5
CONTROL SYSTEM	MULTIPLE UNIT CONTROL AUTO/START STOP
NOISE LEVEL (dB A)	72
AIR OUTLET (BALL VALVE)	1/2" NPT
OPERATING VOLTAGE	3 PHASE, 208-230/460V, 60Hz
DIMENSIONS (L x W x H)	48" x 33" x 52"
APPROX. WT. (LBS.)	370

NOTE: HIGH PRESSURE SPECS AVAILABLE UPON REQUEST



NOTES:

- 1) COMPRESSOR UNIT MUST BE INSTALLED IN A ROOM ON A FLAT FLOOR
- 2) COMPRESSOR IS AN AIR COOLED UNIT - ROOM TEMPERATURE MUST NOT EXCEED 104° F
EXHAUST DUCTS OR VENTILATING FAN MUST BE INSTALLED IF ROOM TEMPERATURE EXCEEDS 104° F
- 3) PROVIDE ADEQUATE SPACE DURING INSTALLATION FOR NECESSARY MAINTENANCE AND REPAIRS
ALLOW A MINIMUM OF 20" ON EACH SIDE AND 24" FROM TOP OF UNIT FROM WALLS
- 4) CARE MUST BE TAKEN TO INSURE COMPRESSOR UNIT DOES NOT INTAKE HOT AIR OR DUST
- 5) REFER TO INSTRUCTION MANUAL FOR ELECTRIC WIRING DIAGRAM
- 6) SPEC IS SUBJECT TO CHANGE WITHOUT NOTICE

PROPRIETARY AND CONFIDENTIAL
THE INFORMATION CONTAINED IN THIS DRAWING IS THE SOLE PROPERTY OF **ANEST IWATA**. ANY REPRODUCTION IN PART OR AS A WHOLE WITHOUT THE WRITTEN PERMISSION OF **ANEST IWATA** IS PROHIBITED.

UNLESS OTHERWISE SPECIFIED:		NAME	DATE	ANEST IWATA Air Engineering Inc.
DIMENSIONS ARE IN INCHES AND MILLIMETERS	DRAWN	AMM	4/27/20	
	CHECKED	AGH	4/28/20	
	ENG APPR.			
INTERPRET GEOMETRIC TOLERANCING PER:	MFG APPR.			TITLE: OFT-3(H)-60 OIL-FREE PISTON UNIT TANK MOUNT COMPRESSOR
	MATERIAL	ASSY		
	PART NO.			SIZE DWG. NO. REV B OFT-3(H)-60-R2 2
DO NOT SCALE DRAWING				SCALE: 1:15 WEIGHT: SHEET 1 OF 1