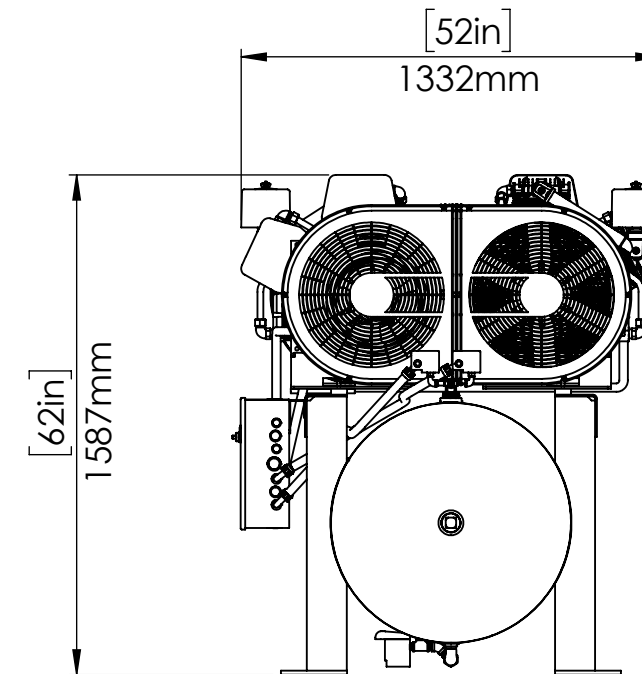
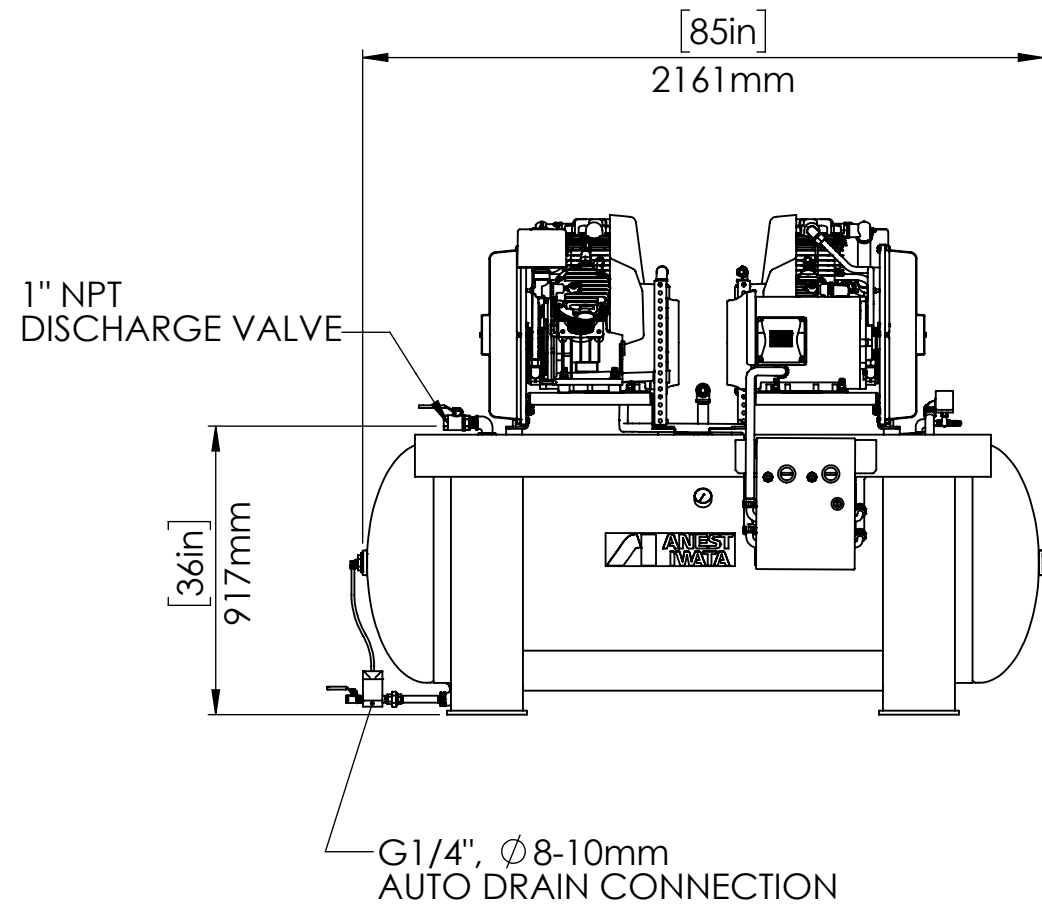


	OFT-30DHH-240
HORSEPOWER	30 (2 X 15 HP)
MAXIMUM OPERATING PRESSURE (PSI)	200
AIR DELIVERY (CFM)	
CONTROL SYSTEM	NO CONTROL
NOISE LEVEL (dB A)	TBD
AIR OUTLET (BALL VALVE)	1" NPT
OPERATING VOLTAGE	3 PHASE, 208-230V/460V, 60Hz
DIMENSIONS (LxWxH)	85" x 52" x 62"
APPROX. WT. (LBS.)	1965



**NOTES:**

- 1) COMPRESSOR UNIT MUST BE INSTALLED IN A ROOM ON A FLAT FLOOR
- 2) COMPRESSOR IS AN AIR COOLED UNIT - ROOM TEMPERATURE MUST NOT EXCEED 104° F EXHAUST DUCTS OR VENTILATING FAN MUST BE INSTALLED IF ROOM TEMPERATURE EXCEEDS 104° F
- 3) PROVIDE ADEQUATE SPACE DURING INSTALLATION FOR NECESSARY MAINTENANCE AND REPAIRS ALLOW A MINIMUM OF 20" ON EACH SIDE AND 24" FROM TOP OF UNIT FROM WALLS
- 4) CARE MUST BE TAKEN TO INSURE COMPRESSOR UNIT DOES NOT INTAKE HOT AIR OR DUST
- 5) REFER TO INSTRUCTION MANUAL FOR ELECTRIC WIRING DIAGRAM
- 6) SPEC IS SUBJECT TO CHANGE WITHOUT NOTICE

**PROPRIETARY AND CONFIDENTIAL**  
 THE INFORMATION CONTAINED IN THIS DRAWING IS THE SOLE PROPERTY OF **ANEST IWATA**. ANY REPRODUCTION IN PART OR AS A WHOLE WITHOUT THE WRITTEN PERMISSION OF **ANEST IWATA** IS PROHIBITED.

UNLESS OTHERWISE SPECIFIED:		NAME	DATE	<b>ANEST IWATA</b> Air Engineering Inc.
DIMENSIONS ARE IN INCHES AND MILLIMETERS	DRAWN	AMM	4/28/20	
	CHECKED	AGH	4/30/20	
	ENG APPR.			
INTERPRET GEOMETRIC TOLERANCING PER:	MFG APPR.			<b>TITLE:</b> <b>OFT-30DHH-240</b> HIGH PRESSURE OIL-FREE PISTON UNIT TANK MOUNT COMPRESSOR
	MATERIAL	ASSY		
PART NO.				<b>SIZE</b> DWG. NO. REV <b>B</b> OFT-30D-240-R1 <b>1</b>
DO NOT SCALE DRAWING				SCALE: 1:24 WEIGHT: SHEET 1 OF 3