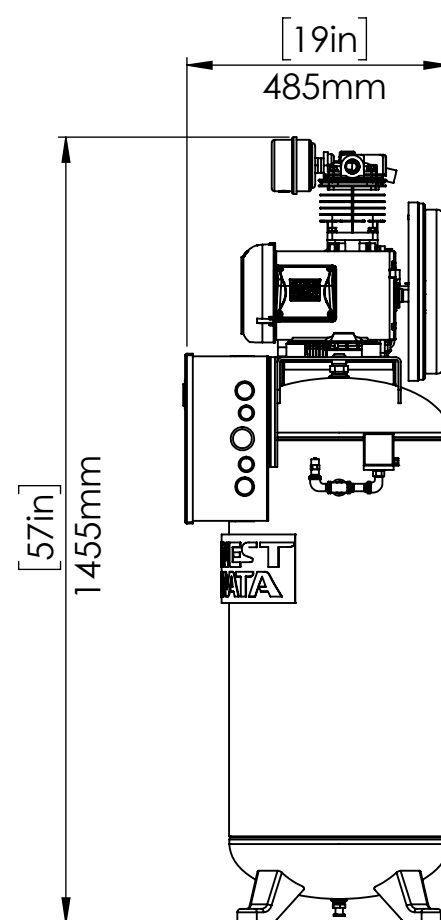
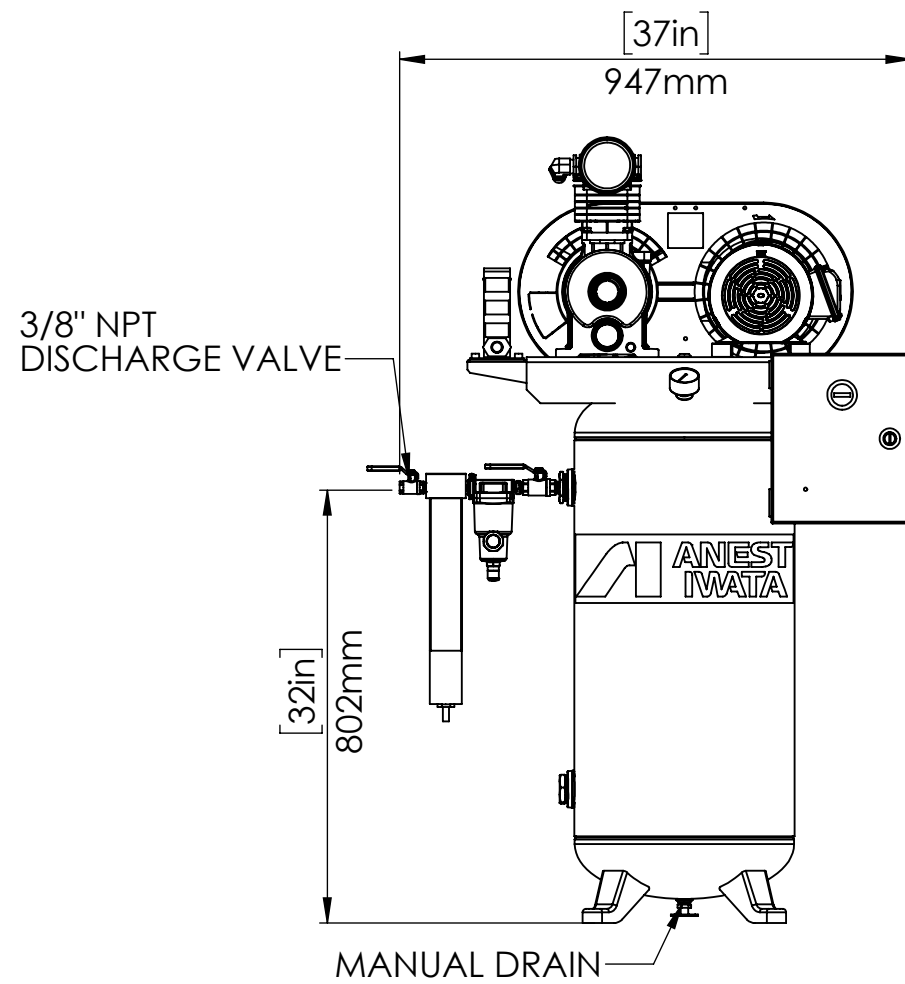


	OFT-2(H)-FM-30
HORSEPOWER	2
OPERATING PRESSURE (PSI)	90-120
AIR DELIVERY (CFM)	5.2
CONTROL SYSTEM	MULTIPLE UNIT CONTROL AUTO/START STOP
NOISE LEVEL (dB A)	69
AIR OUTLET (BALL VALVE)	3/8" NPT
OPERATING VOLTAGE	1 PHASE, 115/208-230V, 60Hz 3 PHASE, 208-230/460V, 60Hz
DIMENSIONS (L x W x H)	37" x 19" x 57"
APPROX. WT. (LBS.)	230

NOTE: HIGH PRESSURE SPECS AVAILABLE UPON REQUEST



- NOTES:**
- 1) COMPRESSOR UNIT MUST BE INSTALLED IN A ROOM ON A FLAT FLOOR
 - 2) COMPRESSOR IS AN AIR COOLED UNIT - ROOM TEMPERATURE MUST NOT EXCEED 104° F
EXHAUST DUCTS OR VENTILATING FAN MUST BE INSTALLED IF ROOM TEMPERATURE EXCEEDS 104° F
 - 3) PROVIDE ADEQUATE SPACE DURING INSTALLATION FOR NECESSARY MAINTENANCE AND REPAIRS
ALLOW A MINIMUM OF 20" ON EACH SIDE AND 24" FROM TOP OF UNIT FROM WALLS
 - 4) CARE MUST BE TAKEN TO INSURE COMPRESSOR UNIT DOES NOT INTAKE HOT AIR OR DUST
 - 5) REFER TO INSTRUCTION MANUAL FOR ELECTRIC WIRING DIAGRAM
 - 6) SPEC IS SUBJECT TO CHANGE WITHOUT NOTICE

PROPRIETARY AND CONFIDENTIAL
THE INFORMATION CONTAINED IN THIS DRAWING IS THE SOLE PROPERTY OF **ANEST IWATA**. ANY REPRODUCTION IN PART OR AS A WHOLE WITHOUT THE WRITTEN PERMISSION OF **ANEST IWATA** IS PROHIBITED.

MATERIAL	ASS'Y
PART NO.	
DO NOT SCALE DRAWING	

NAME	DATE	ANEST IWATA Air Engineering Inc.
DRAWN	SDR 4/6/20	
CHECKED	AMM 4/22/20	
ENG APPR.		
MFG APPR.		
Q.A.		TITLE: OFT-2(H)-FM-30 OIL-FREE SCROLL UNIT TANK MOUNT COMPRESSOR FILTER MEMBRANE DRYER
COMMENTS:		
SIZE	DWG. NO.	REV
B	OFT-2(H)-FM-30-R1	1
SCALE: 1:14		WEIGHT:
		SHEET 1 OF 1