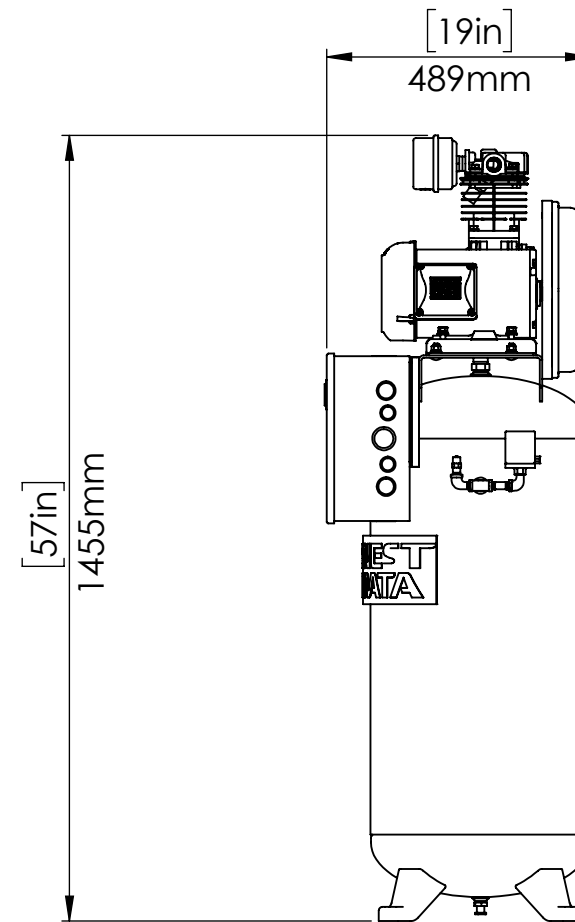
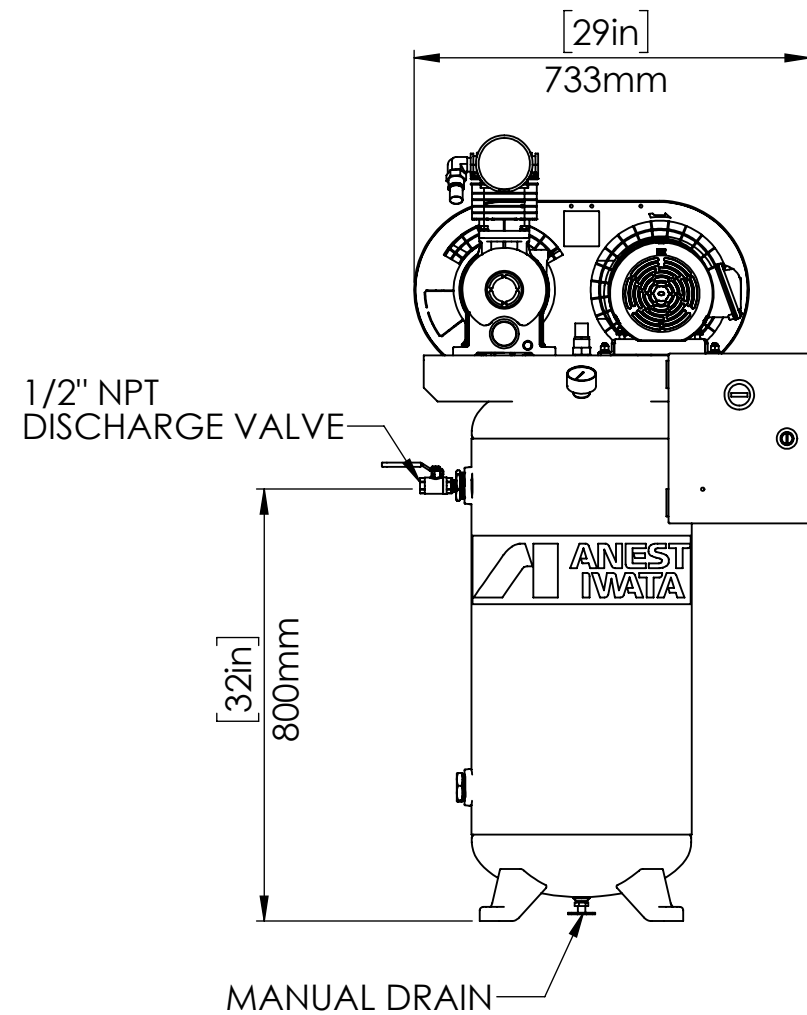


	2	1
	OFT-2-30	OFT-2H-30
HORSEPOWER	2	
OPERATING PRESSURE (PSI)	90-120	115-145
AIR DELIVERY (CFM)	5.7	5.3
CONTROL SYSTEM	MULTIPLE UNIT CONTROL AUTO/START STOP	
NOISE LEVEL (dB A)	69	71
AIR OUTLET (BALL VALVE)	3/8" NPT	
OPERATING VOLTAGE	1 PHASE, 115/208-230V, 60Hz 3 PHASE, 208-230/460V, 60Hz	
DIMENSIONS (L x W x H)	29" x 19" x 57"	
APPROX. WT. (LBS.)	190	



- NOTES:**
- 1) COMPRESSOR UNIT MUST BE INSTALLED IN A ROOM ON A FLAT FLOOR
 - 2) COMPRESSOR IS AN AIR COOLED UNIT - ROOM TEMPERATURE MUST NOT EXCEED 104° F
EXHAUST DUCTS OR VENTILATING FAN MUST BE INSTALLED IF ROOM TEMPERATURE EXCEEDS 104° F
 - 3) PROVIDE ADEQUATE SPACE DURING INSTALLATION FOR NECESSARY MAINTENANCE AND REPAIRS
ALLOW A MINIMUM OF 20" ON EACH SIDE AND 24" FROM TOP OF UNIT FROM WALLS
 - 4) CARE MUST BE TAKEN TO INSURE COMPRESSOR UNIT DOES NOT INTAKE HOT AIR OR DUST
 - 5) REFER TO INSTRUCTION MANUAL FOR ELECTRIC WIRING DIAGRAM
 - 6) SPEC IS SUBJECT TO CHANGE WITHOUT NOTICE

PROPRIETARY AND CONFIDENTIAL
THE INFORMATION CONTAINED IN THIS DRAWING IS THE SOLE PROPERTY OF **ANEST IWATA**. ANY REPRODUCTION IN PART OR AS A WHOLE WITHOUT THE WRITTEN PERMISSION OF **ANEST IWATA** IS PROHIBITED.

UNLESS OTHERWISE SPECIFIED:	NAME	DATE	ANEST IWATA Air Engineering Inc.
DIMENSIONS ARE IN INCHES AND MILLIMETERS	DRAWN	AMM 4/24/20	
	CHECKED	AGH 4/28/20	
	ENG APPR.		
	MFG APPR.		TITLE: OFT-2(H)-30 OIL-FREE PISTON UNIT TANK MOUNT COMPRESSOR
INTERPRET GEOMETRIC TOLERANCING PER:	Q.A.		
MATERIAL	COMMENTS:		SIZE DWG. NO. REV B OFT-2(H)-30-R2 2
PART NO.			
DO NOT SCALE DRAWING			SCALE: 1:14 WEIGHT: SHEET 1 OF 1

