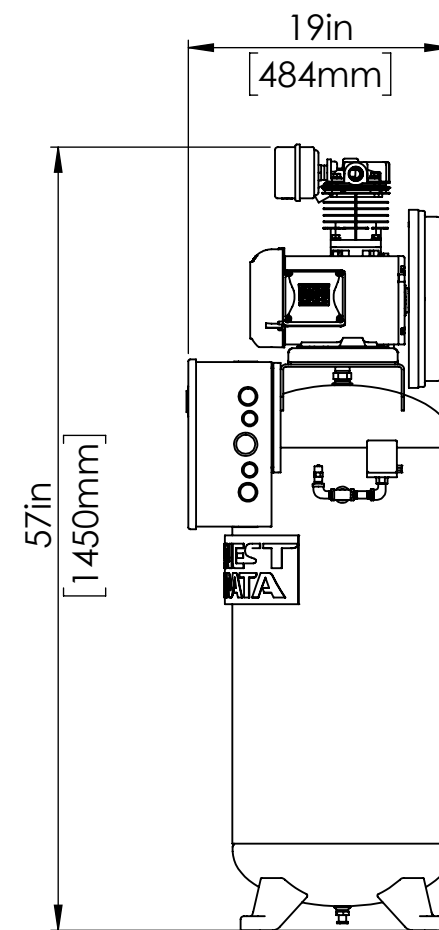
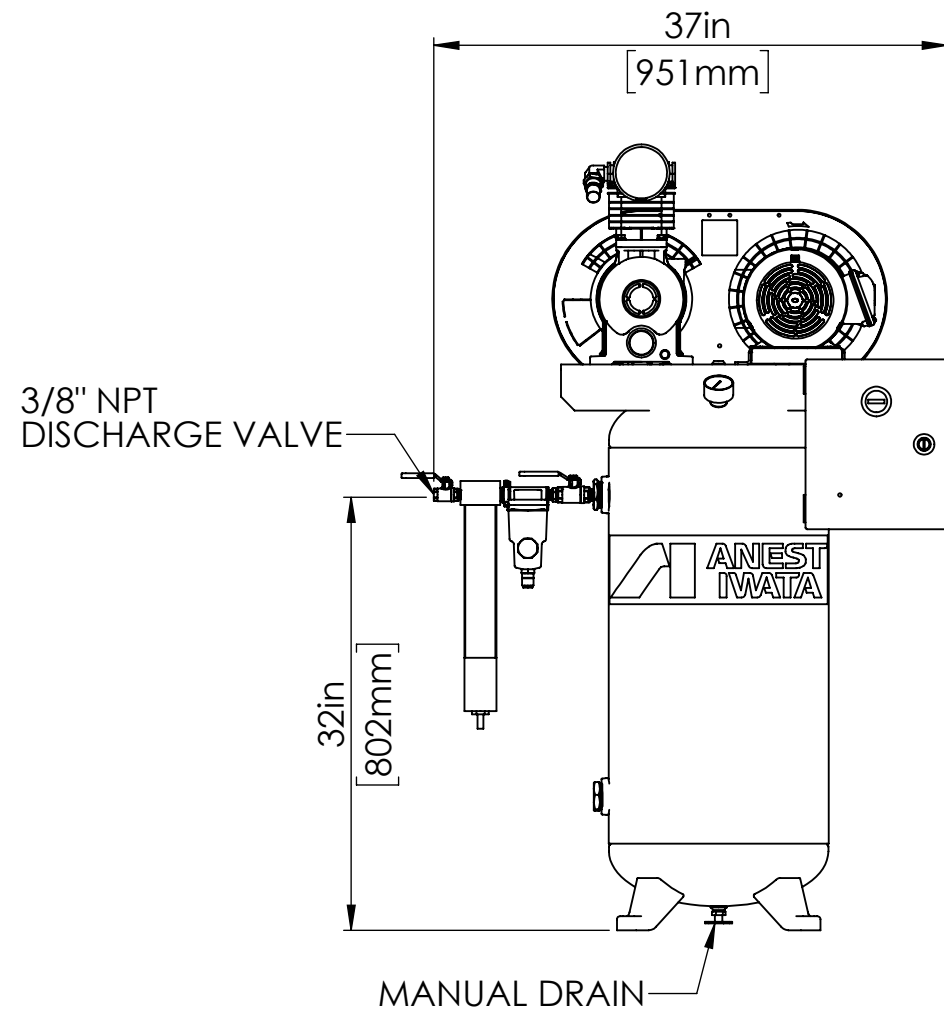


	OFT-1 (H)-FM-30
HORSEPOWER	1
OPERATING PRESSURE (PSI)	90-120
AIR DELIVERY (CFM)	2.7
CONTROL SYSTEM	MULTIPLE UNIT CONTROL AUTO/START STOP
NOISE LEVEL (dB A)	59
AIR OUTLET (BALL VALVE)	3/8" NPT
OPERATING VOLTAGE	1 PHASE, 115/208-230V, 60Hz 3 PHASE, 208-230/460V, 60Hz
DIMENSIONS (L x W x H)	37" x 19" x 57"
APPROX. WT. (LBS.)	210

NOTE: HIGH PRESSURE SPECS AVAILABLE UPON REQUEST



NOTES:

- 1) COMPRESSOR UNIT MUST BE INSTALLED IN A ROOM ON A FLAT FLOOR
- 2) COMPRESSOR IS AN AIR COOLED UNIT - ROOM TEMPERATURE MUST NOT EXCEED 104° F
EXHAUST DUCTS OR VENTILATING FAN MUST BE INSTALLED IF ROOM TEMPERATURE EXCEEDS 104° F
- 3) PROVIDE ADEQUATE SPACE DURING INSTALLATION FOR NECESSARY MAINTENANCE AND REPAIRS
ALLOW A MINIMUM OF 20" ON EACH SIDE AND 24" FROM TOP OF UNIT FROM WALLS
- 4) CARE MUST BE TAKEN TO INSURE COMPRESSOR UNIT DOES NOT INTAKE HOT AIR OR DUST
- 5) REFER TO INSTRUCTION MANUAL FOR ELECTRIC WIRING DIAGRAM
- 6) SPEC IS SUBJECT TO CHANGE WITHOUT NOTICE

PROPRIETARY AND CONFIDENTIAL
THE INFORMATION CONTAINED IN THIS DRAWING IS THE SOLE PROPERTY OF **ANEST IWATA**. ANY REPRODUCTION IN PART OR AS A WHOLE WITHOUT THE WRITTEN PERMISSION OF **ANEST IWATA** IS PROHIBITED.

MATERIAL	ASSY
PART NO.	
DO NOT SCALE DRAWING	

	NAME	DATE	ANEST IWATA Air Engineering Inc.
DRAWN	SDR	4/15/20	
CHECKED	AMM	4/22/20	
ENG APPR.			
MFG APPR.			
TITLE: OFT-1 (H)-FM-30 OIL FREE PISTON UNIT TANK MOUNT COMPRESSOR			ANEST IWATA
Q.A.			
COMMENTS:			
SIZE	DWG. NO.	REV	
B	OFT-1 (H)-FM-30-R1	1	
SCALE: 1:14		WEIGHT:	SHEET 1 OF 1