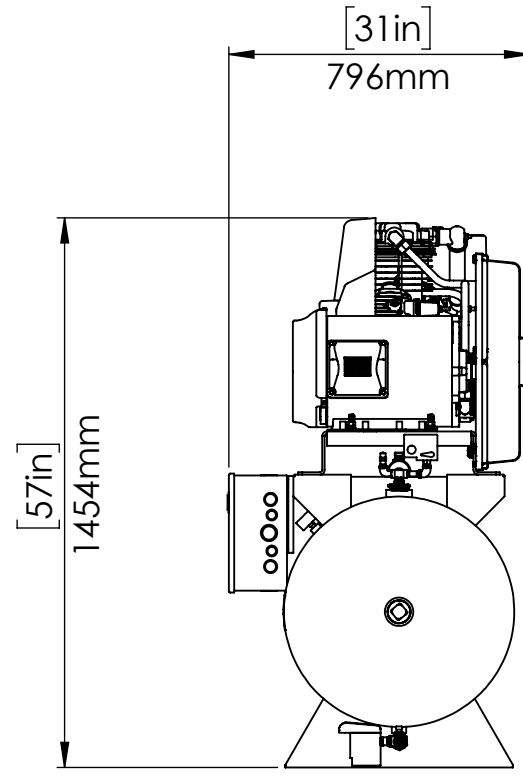
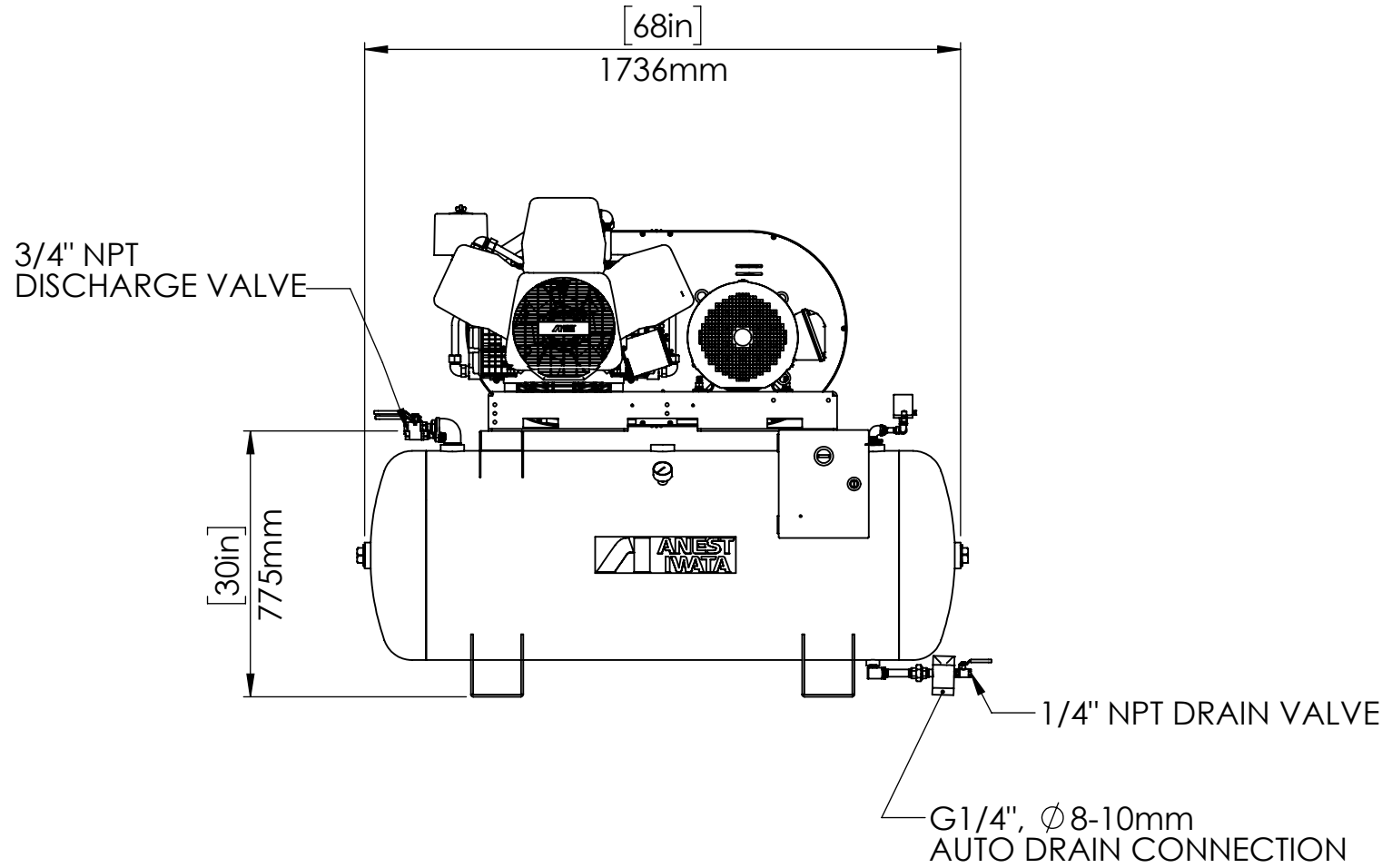


	OFT-15-120
OPERATING PRESSURE (psi)	90-120
AIR DELIVERY (cfm)	41.0
TANK SIZE (GAL)	120
NOISE LEVEL dB(A)	74
AIR OUTLET (BALL VALVE)	3/4" NPT
OPERATING VOLTAGE	3 PHASE, 208-230/460V, 60Hz
DIMENSIONS (LxWxH) IN.	68 x 31 x 57
APPROX. WT.	925

NOTE: HIGH PRESSURE UNIT AVAILABLE UPON REQUEST



- NOTES:
- 1) COMPRESSOR UNIT MUST BE INSTALLED IN A ROOM ON A FLAT FLOOR
  - 2) COMPRESSOR IS AN AIR COOLED UNIT - ROOM TEMPERATURE MUST NOT EXCEED 104° F EXHAUST DUCTS OR VENTILATING FAN MUST BE INSTALLED IF ROOM TEMPERATURE EXCEEDS 104° F
  - 3) PROVIDE ADEQUATE SPACE DURING INSTALLATION FOR NECESSARY MAINTENANCE AND REPAIRS ALLOW A MINIMUM OF 20" ON EACH SIDE AND 24" FROM TOP OF UNIT FROM WALLS
  - 4) CARE MUST BE TAKEN TO INSURE COMPRESSOR UNIT DOES NOT INTAKE HOT AIR OR DUST
  - 5) REFER TO INSTRUCTION MANUAL FOR ELECTRIC WIRING DIAGRAM
  - 6) SPEC IS SUBJECT TO CHANGE WITHOUT NOTICE

**PROPRIETARY AND CONFIDENTIAL**  
 THE INFORMATION CONTAINED IN THIS DRAWING IS THE SOLE PROPERTY OF ANEST IWATA. ANY REPRODUCTION IN PART OR AS A WHOLE WITHOUT THE WRITTEN PERMISSION OF ANEST IWATA IS PROHIBITED.

UNLESS OTHERWISE SPECIFIED:		NAME	DATE
DIMENSIONS ARE IN INCHES AND MILLIMETERS	DRAWN	AMM	4/28/20
	CHECKED	AGH	4/30/20
	ENG APPR.		
	MFG APPR.		
INTERPRET GEOMETRIC TOLERANCING PER:		Q.A.	
MATERIAL	COMMENTS:		
ASSY			
PART NO.			
DO NOT SCALE DRAWING			

ANEST IWATA Air Engineering Inc.		
<b>TITLE:</b> OFT-15(H)-120 OIL-FREE PISTON UNIT TANK MOUNT COMPRESSOR		
SIZE	DWG. NO.	REV
<b>B</b>	OFT-15(H)-120-R1	<b>1</b>
SCALE: 1:20		WEIGHT:
		SHEET 1 OF 1