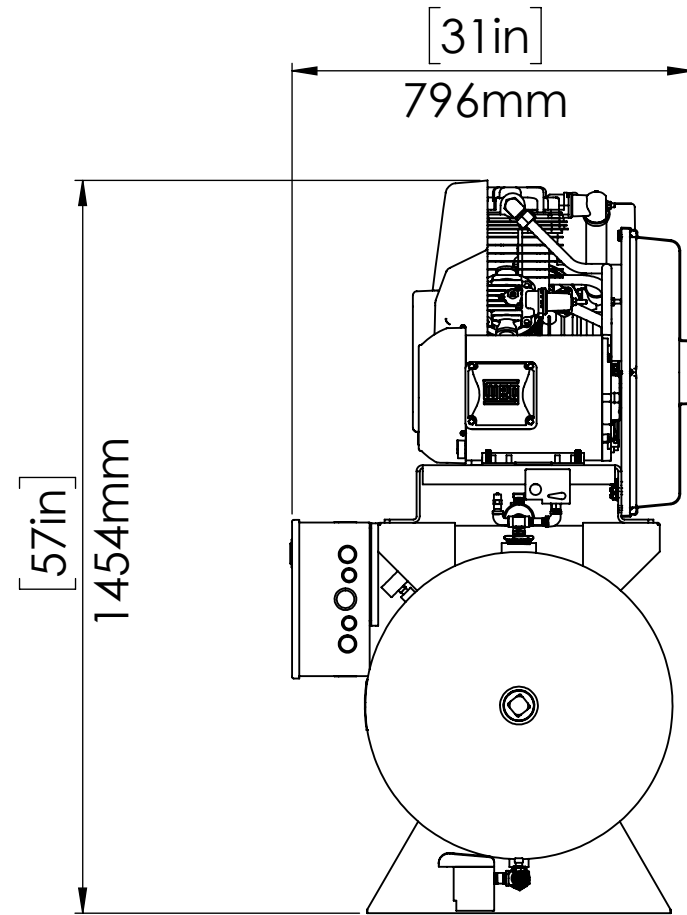
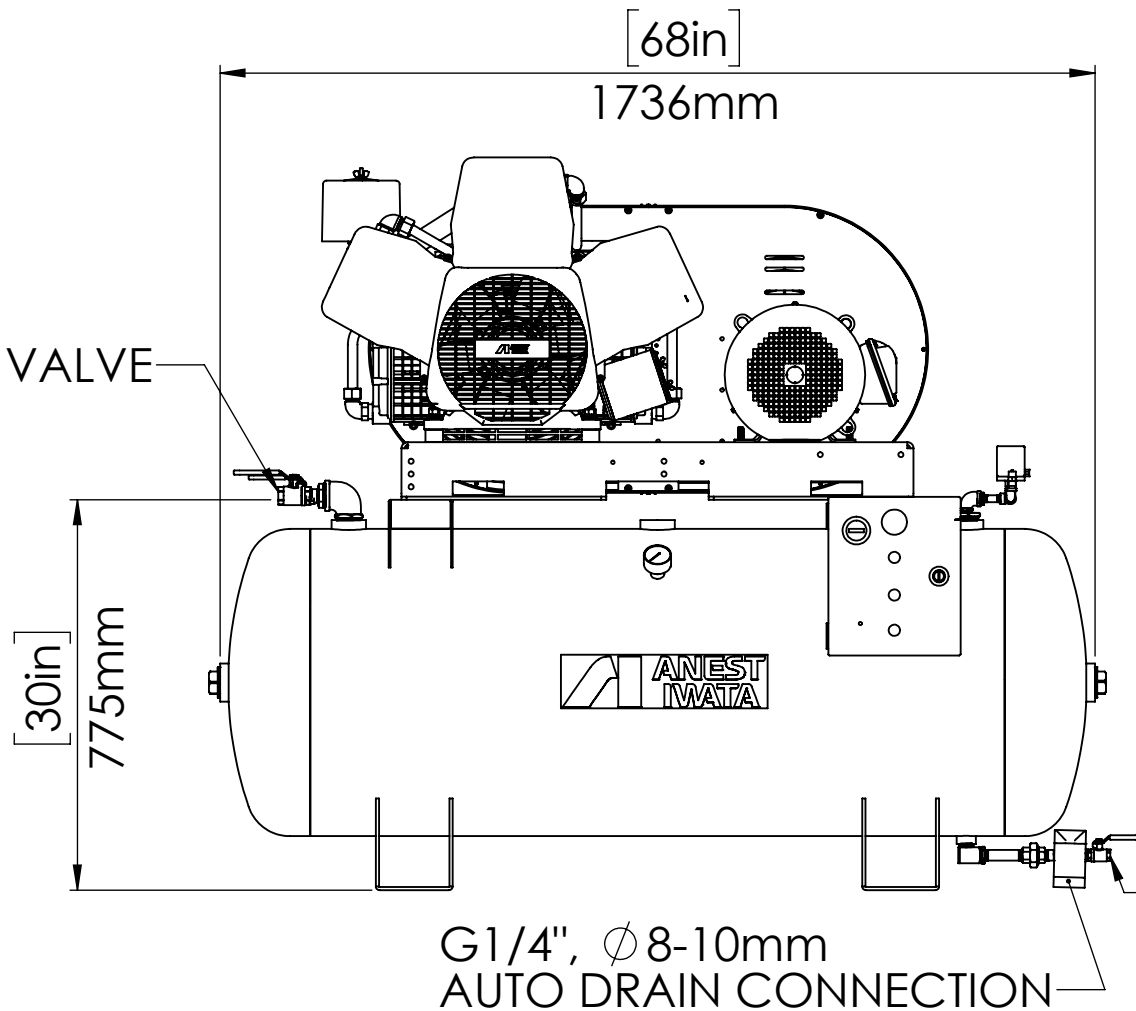


	OFT-10(H)-120
HORSEPOWER	10
OPERATION PRESSURE (psi)	90-120
AIR DELIVERY (cfm)	30
CONTROL SYSTEM	MULTIPLE UNIT CONTROL AUTO / START STOP
NOISE LEVEL (dba)	75
AIR DELIVERY	3/4" NPT
OPERATING VOLTAGE	3 PHASE, 208-230/460V, 60Hz
DIMENSIONS (L x W x H)	68 x 31 x 57
WEIGHT (lbs)	800



- NOTES:
- 1) COMPRESSOR UNIT MUST BE INSTALLED IN A ROOM ON A FLAT FLOOR
 - 2) COMPRESSOR IS AN AIR COOLED UNIT - ROOM TEMPERATURE MUST NOT EXCEED 104° F
EXHAUST DUCTS OR VENTILATING FAN MUST BE INSTALLED IF ROOM TEMPERATURE EXCEEDS 104° F
 - 3) PROVIDE ADEQUATE SPACE DURING INSTALLATION FOR NECESSARY MAINTENANCE AND REPAIRS
ALLOW A MINIMUM OF 20" ON EACH SIDE AND 24" FROM TOP OF UNIT FROM WALLS
 - 4) CARE MUST BE TAKEN TO INSURE COMPRESSOR UNIT DOES NOT INTAKE HOT AIR OR DUST
 - 5) REFER TO INSTRUCTION MANUAL FOR ELECTRIC WIRING DIAGRAM
 - 6) SPEC IS SUBJECT TO CHANGE WITHOUT NOTICE

PROPRIETARY AND CONFIDENTIAL
THE INFORMATION CONTAINED IN THIS DRAWING IS THE SOLE PROPERTY OF ANEST IWATA. ANY REPRODUCTION IN PART OR AS A WHOLE WITHOUT THE WRITTEN PERMISSION OF ANEST IWATA IS PROHIBITED.

UNLESS OTHERWISE SPECIFIED:		NAME	DATE
DIMENSIONS ARE IN INCHES AND MILLIMETERS	DRAWN	AMM	4/27/20
	CHECKED	AGH	4/28/20
	ENG APPR.		
	MFG APPR.		
INTERPRET GEOMETRIC TOLERANCING PER:	Q.A.		
MATERIAL ASS'Y	COMMENTS:		
PART NO.			
DO NOT SCALE DRAWING			

ANEST IWATA Air Engineering Inc.			
TITLE: OFT-10(H)-120 OIL-FREE PISTON UNIT TANK MOUNT COMPRESSOR			
SIZE B	DWG. NO. OFT-10(H)-120-R1	REV 1	
SCALE: 1:15		WEIGHT:	SHEET 1 OF 1