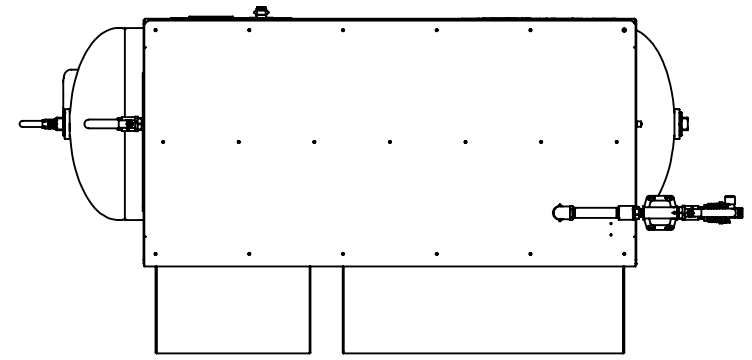


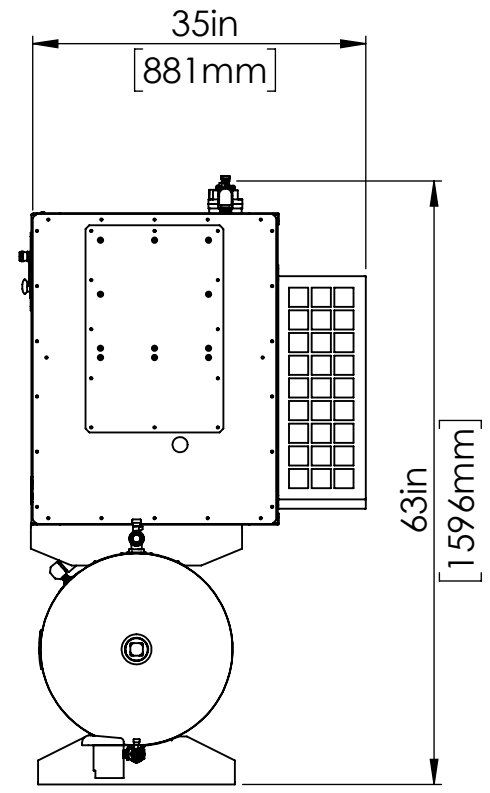
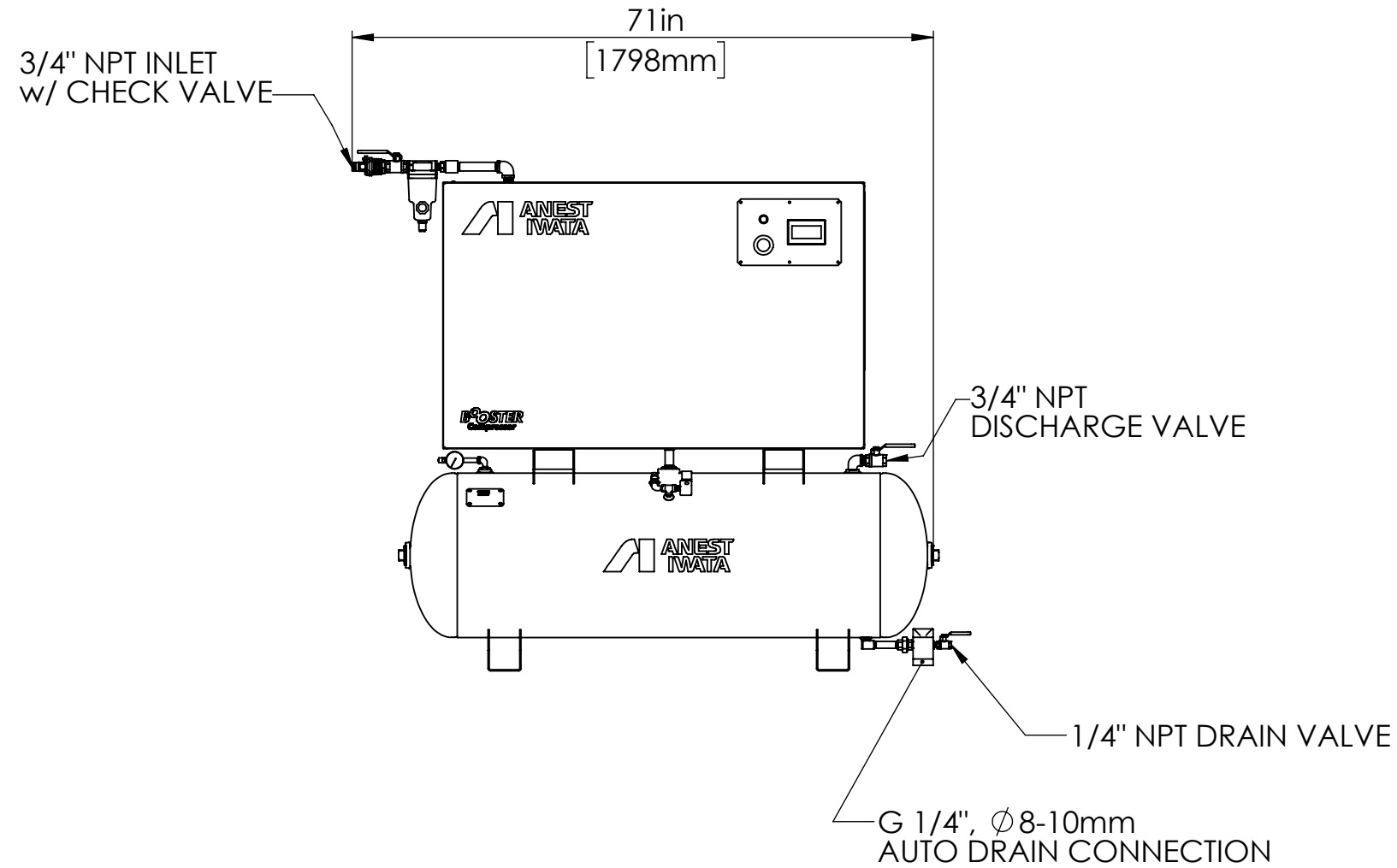
8 7 6 5 4 3 2 1



|                          |  |
|--------------------------|--|
|                          | OFBSTE-7.5-80                            |
| HORSEPOWER               | 7.5                                      |
| OPERATING PRESSURE (PSI) | 165-190                                  |
| AIR DELIVERY (CFM)       | 62                                       |
| CONTROL SYSTEM           | MULTIPLE UNIT CONTROL<br>AUTO/START STOP |
| NOISE LEVEL (dB A)       | 64                                       |
| AIR OUTLET (BALL VALVE)  | 3/4" NPT                                 |
| OPERATING VOLTAGE        | 3 PHASE, 208-230/460V, 60Hz              |
| DIMENSIONS (L x W x H)   | 71" x 35" x 63"                          |
| APPROX. WT. (LBS.)       | 820                                      |

D  
C  
B  
A

D  
C  
B  
A



- NOTES:**
- 1) COMPRESSOR UNIT MUST BE IN A FLAT FLOOR
  - 2) COMPRESSOR IS AN AIR COOLED UNIT - ROOM TEMPERATURE MUST NOT EXCEED 104° F  
EXHAUST DUCTS OR VENTILATING FAN MUST BE INSTALLED IF ROOM TEMPERATURE EXCEEDS 104° F
  - 3) PROVIDE ADEQUATE SPACE DURING INSTALLATION FOR NECESSARY MAINTENANCE AND REPAIRS  
ALLOW A MINIMUM OF 20" ON EACH SIDE AND 24" FROM TOP OF UNIT FROM WALLS
  - 4) CARE MUST BE TAKEN TO INSURE COMPRESSOR UNIT DOES NOT INTAKE HOT AIR OR DUST
  - 5) REFER TO INSTRUCTION FOR ELECTRIC WIRING DIAGRAM
  - 6) SPEC IS SUBJECT TO CHANGE WITHOUT NOTICE

**PROPRIETARY AND CONFIDENTIAL**  
THE INFORMATION CONTAINED IN THIS DRAWING IS THE SOLE PROPERTY OF **ANEST IWATA**. ANY REPRODUCTION IN PART OR AS A WHOLE WITHOUT THE WRITTEN PERMISSION OF **ANEST IWATA** IS PROHIBITED.

|  |  |           |      |                                     |
|--|--|-----------|------|-------------------------------------|
| UNLESS OTHERWISE SPECIFIED:  |  | NAME      | DATE | ANEST IWATA<br>Air Engineering Inc. |
| DIMENSIONS ARE IN INCHES   |  | DRAWN     | AMM  |                                     |
| INTERPRET GEOMETRIC TOLERANCING PER:<br>MATERIAL ASS'Y<br>PART NO.<br>DO NOT SCALE DRAWING |  | CHECKED   |      | TITLE:<br><b>OFBSTE-7.5-80-UL</b>   |
|  |  | ENG APPR. |      |                                     |
|  |  | MFG APPR. |      |                                     |
|  |  | Q.A.      |      |                                     |
|  |  | COMMENTS: |      | SIZE DWG. NO. REV                   |
|  |  |           |      | <b>B</b> OFBSTE-7.5-80-R2 <b>2</b>  |
|  |  |           |      | SCALE: 1:20 WEIGHT: SHEET 1 OF 1    |

8 7 6 5 4 3 2 1