

# Dry Scroll Vacuum Pump

## ISP-250E/500C VFD MODEL



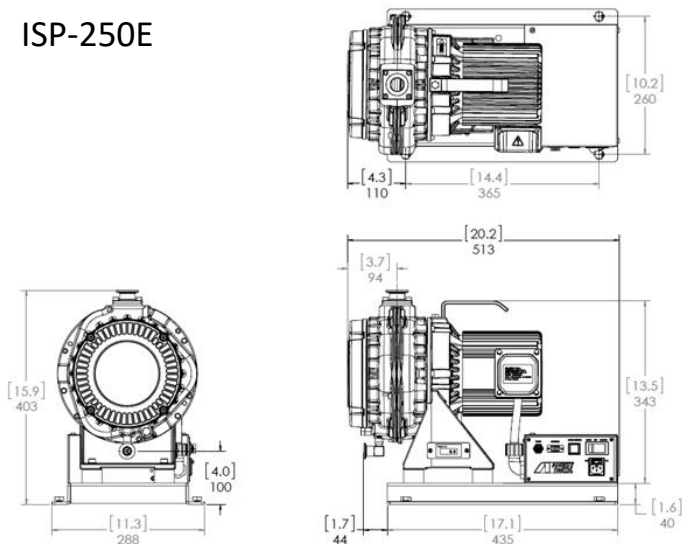
### Product features

- Remote and manual control
- 2 speed operation
- 3 year service intervals \*at low speed operation mode
- Excellent ultimate pressure

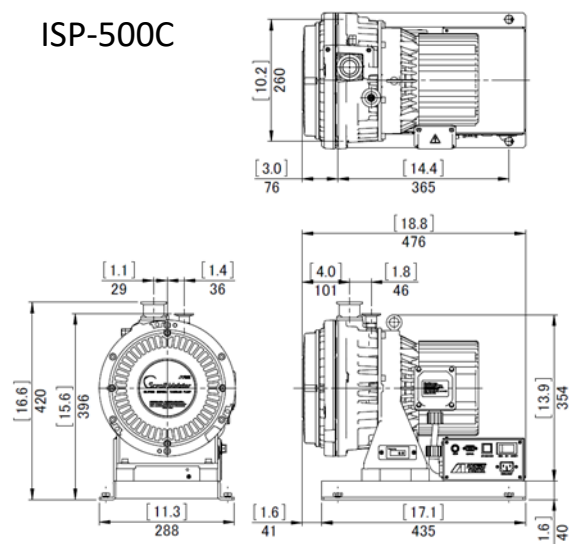
# Specifications

Model		ISP-250E-SV-D1	ISP-250E-SV-D2	ISP-500C-SV-D1	ISP-500C-SV-D2
Standard mode	Pumping Speed [L/min(CFM)]	300 (10.6)		600 (21.2)	
	Ultimate Pressure [Pa(Torr)]	1.6 ( $1.2 \times 10^{-2}$ )		0.7 ( $5.3 \times 10^{-3}$ )	
Low speed mode	Pumping Speed [L/min(CFM)]	150 (5.3)		300 (10.6)	
	Ultimate Pressure [Pa(Torr)]	5.0 ( $3.7 \times 10^{-2}$ )		3.0 ( $2.3 \times 10^{-2}$ )	
Control		Remote / Local			
Remote Interface		RS-485 / Input contact via D-sub 9 pin			
Leak Tightness [Pa·m <sup>3</sup> /s]		$1.0 \times 10^{-7}$		$1.0 \times 10^{-5}$	
Voltage Input 1 $\phi$ [V]		100-115	200-230	100-115	200-230
Inlet Flange		NW25		NW40	
Outlet Flange		NW16		NW25	
Dimension [mm(in)]		513 x 288 x 403 (20.2 x 11.3 x 15.9)		476 x 288 x 420 (18.8 x 11.3 x 16.6)	
Weight [kg(lb)]		32(71)		43(95)	

ISP-250E



ISP-500C



**ANEST IWATA Air Engineering, Inc.**

9525 Glades Drive West Chester, OH 45011 U.S.A.

TEL: 513-755-5130 FAX: 513-755-1889

Toll free: 800-440-0282

Email: [vacuuminquiry@anestiwata.com](mailto:vacuuminquiry@anestiwata.com)

[www.anestiwata.com](http://www.anestiwata.com)