

Dry Scroll Vacuum Pump with Explosion Proof Motor

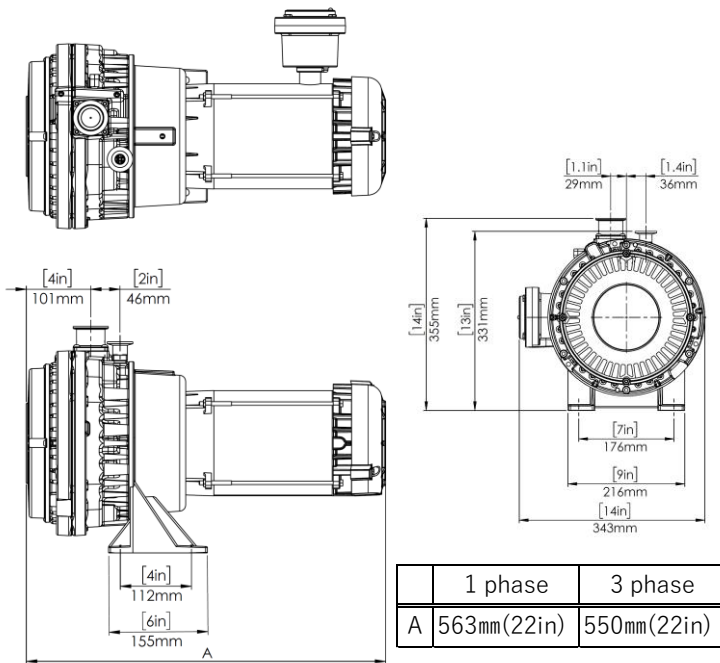


Product features

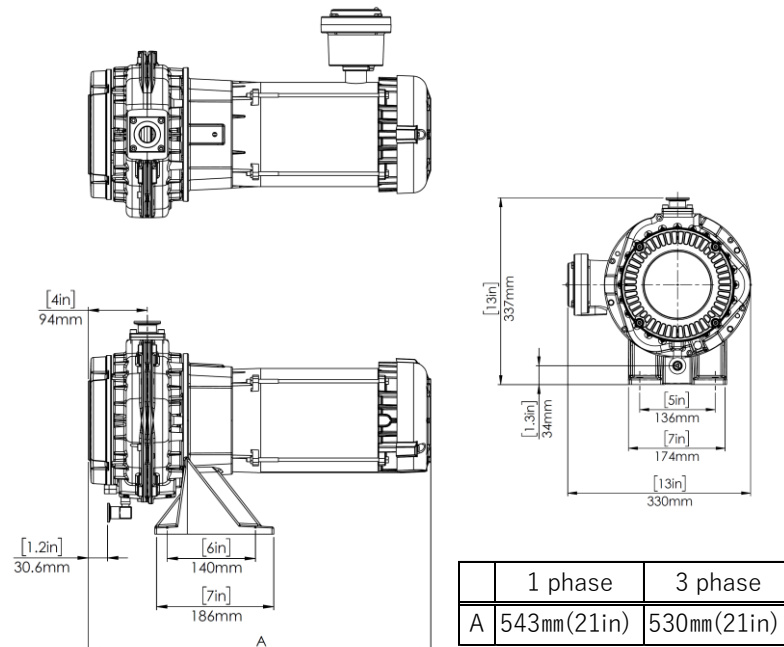
- UL listed explosion proof motor
- Available for use in hazardous locations
- Clean, quiet oil free operation

Specifications

Model		ISP-250E-SV-EX	ISP-250E-TV-EX	ISP-500C-SV-EX	ISP-500C-TV-EX
Pumping Speed	L/min (CFM)	300 (10.6)		600 (21.2)	
Ultimate Pressure	Pa (Torr)	1.6 (1.2x10 ⁻²)		1.0 (7.5x10 ⁻³)	
Motor Output	kW	0.55		0.75	
Voltage	V	115/208-230	208-230/460	115/208-230	208-230/460
Phase	—	Single	Three	Single	Three
Hazardous Location	—	EX PROOF, CL I GR C&D, CL II GR F&G, T3B			
Leak Tightness	Pa·m ³ /s	1.0x10 ⁻⁷		1.0x10 ⁻⁵	
Ambient Temperature	°C (°F)	5 to 40 (41 to 104)			
Weight	kg (lbs)	34 (75)		41 (90)	
Inlet Connecton	—	NW25		NW40	
Outlet Connection	—	NW16		NW25	
Dimension	mm (in)	543 x 330 x 337 (21.4 x 13.0 x 13.3)	530 x 330 x 337 (20.9 x 13.0 x 13.3)	563 x 343 x 355 (22.2 x 13.5 x 14.0)	550 x 343 x 355 (21.7 x 13.5 x 14.0)



ISP-500C Dimension



ISP-250E Dimension

ANEST IWATA Air Engineering, Inc.

9525 Glades Drive West Chester, OH 45011 U.S.A.

TEL: 513-755-5130

FAX: 513-755-1889

Toll free: 800-440-0282

Email: vacuuminquiry@anestiwata.com

www.anestiwata.com