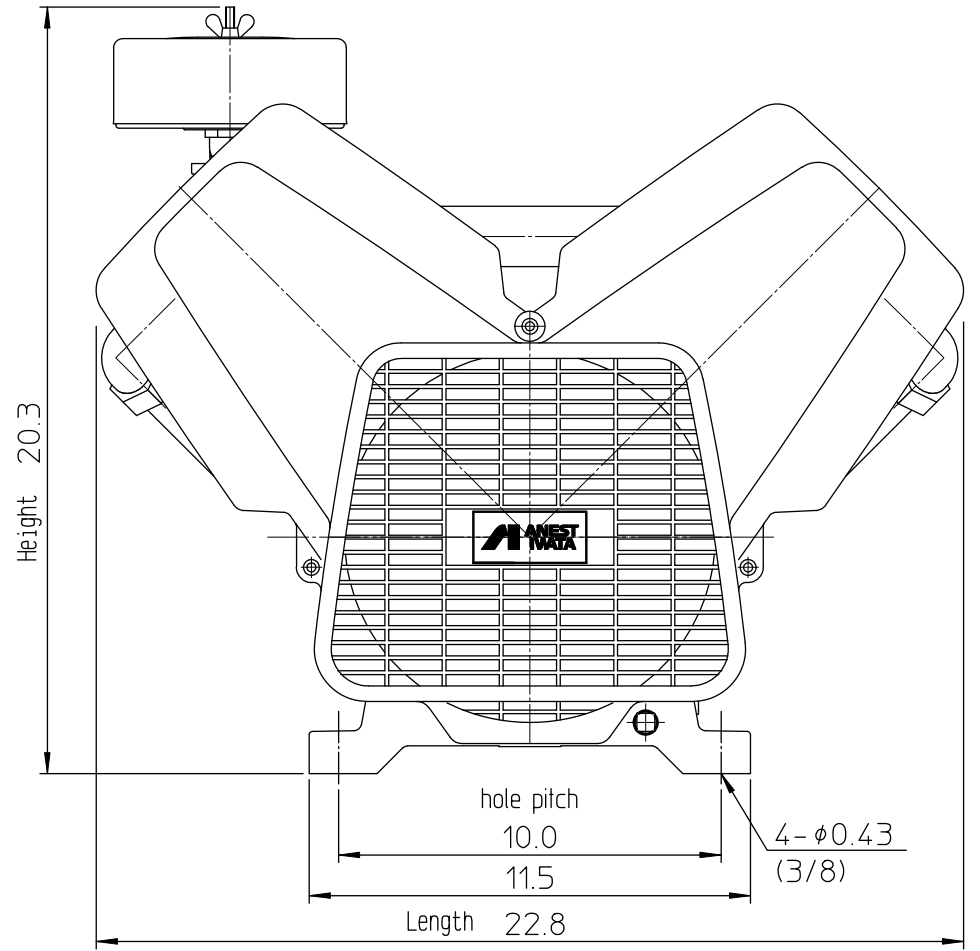
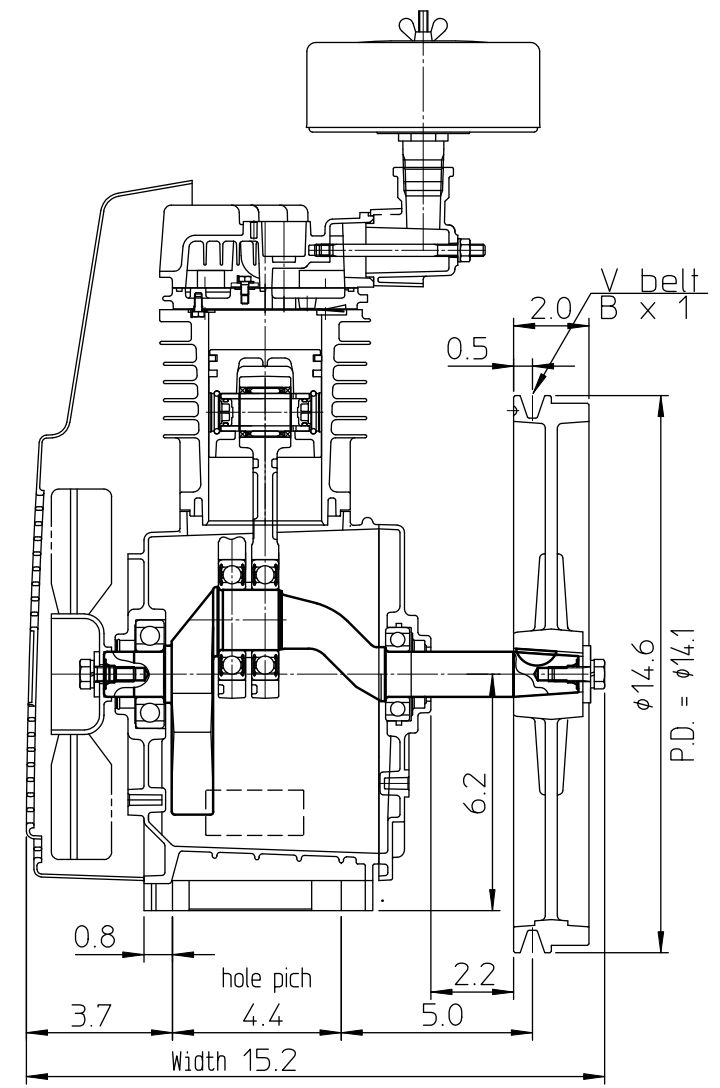


Back view



Front view

Model		F37BP-10-US
Pump number		F37BP-10-S80
Stage number		1
Compressor power	HP	5
Maximum allowable pressure	psi	145
Free air delivery @ 120 psi	cfm	13.1
Weight	lb	61.7
Approx. net dimensions Length x Width x Height	inch	22.8 x 15.2 x 20.3



Perspective side view

UNIT	inch	SCALE	1 : 5	CAD-C
MODEL	F37BP-10-US			
NAME	Oil less piston Compressor			
CODE No.	F37BP-10-US-301			
APP	ENG	CHE	DRA	
032514	032514	032514	032514	
A.Shirai	T.Tomita	T.Tomita	T.Tomita	
DATE	03 / 25 / 2014			
ANEST IWATA Air Engineering, Ltd.				